

A3

Characteristics 特性

Item 条目	Value 参数
Type 类型	—
Model 型号	—
Controller 控制柜	—
Code 标准	—
operation 操作方式	ACD2 EN 81/GB 7588 FCL
Drive 变频器	—
Motorpower 电机功率	—
Machine 或引机	—
Arrangement 布置	8000mm 上面
Type 型号	OPR2B 2011/2/3/4
Rated load 载重	630-1000 kg
Nominal speed 速度	1.0-1.75 m/s
Supply 输入	—
Earthing 接地	TN-S
Phases 相位	3
Voltage 电压	380 V
Frequency 频率	50 Hz
Doors 门	—
Type 类型	CLD
Drive 电机	DC-5/AT120
Voltage 电压	230 V
Reardoor 后门	N
Car operating panel 操纵盘	—
Count 数量	1/2
Fixture 类型	CP117
Alarm and light 警铃和灯	—
Alarm type 警铃类型	ECU-2
Car light 轿厢灯	CFL-1
Brake and Blower 抱闸和风机	—
Braketype 抱闸类型	DC
Brakevoltage 抱闸电压	110V
Fanvoltage 风机电压	230V

Parameter code 参数名	Description 参数描述	参数描述
ADO	Advanced Door Opening	提前开门
ANS	Anti-Nuisance Car Call	防捣乱
APD	Anti-Pollution Device	电磁干扰滤波器
ARD-1	Automatic Return Device	自动返回基站
ATT-2	Attendant Service Operation (JPN)	司机服务操作
BFS	Oil Buffer Switch	油压缓冲器开关
BSM	Basement Service	地下室服务
CBM	Car button mechanical.	机械式轿箱按钮
CBT	Two Car Operating Panel	双操纵盘
CCBL	Car Call to Bottom Floor	轿箱呼到底层
CCM	Car Chime	轿箱到站铃
CCTL	Car Call to Top Floor	轿箱呼到顶层
CDD	Car Door Detector	轿门检测器
CFL-1	Fluorescent Car Light(controlled)	可控的轿箱照明
CHCS	Cut off Hall Call Switch	大厅呼叫切除开关
CHF	Current Harmonic Filter	电流谐波滤波器
CHT-4	Separate Car and Hall Call Door Times	独立的轿箱和大厅呼叫门时间
CPI-17	Car Position Indicator(16-seg)	轿箱位置显示器(16段数码管)
CTTL	Car Tell Tale Light	轿箱呼叫登记灯
CWS-1	Counterweight with safety	对重安全钳
DCB-1	Door Closed Button	关门按钮
DDOS	Disable Door Operation Switch	门操作无效开关
DDP	Delayed Drive Protection	延迟的拖动保护
DHB-1	Door Hold Button	门保持按钮
DOB	DOB Faster Response	快速开门反应
DTG-4	Incremental Encoder(2track)	增量式编码器(双通道)
DTP	Door Time Protection	门时间保护
DXT-1	Extra Door Time (lobby and parking)	附加的门时间
DZI	Door Zone Indicator	门区显示
EEC	Top of Car Emergency Exit	轿顶紧急出口
EFO-1	Emergency Fireman Operation	紧急消防员操作
EFS-1	Emergency Fireman Service (automatic)	紧急消防员服务(自动)
ESS-1	Emergency Stop Switch	紧急停车
ERO-1	ERO with MES and DZI	电动操作
FAN-1	Fan (manual)	风扇(手动)
FAN-2	Fan(automatic)	风扇(自动)
FLS-1	Final Limit Switches 7LS/8LS	终端极限开关7LS/8LS
GCS	Counterweight Governor Switch	对重限速器开关
GTC	Governor Tension Contact	限速器张紧触点
HBM	Hall Buttons Mechanical	机械式大厅按钮
HPI-17	Hall Position Indicator(16-seg)	大厅位置显示器
HTTL	Hall Tell Tale Lights	大厅呼叫登记灯
ISC-1	Independent Service	独立服务
LIH-5	Light in Hoistway	井道照明
LNS	Load Non Stop Device	满载不停梯
LW-6	Load Weighing Device on Car	轿底称量装置
LW-5	Microswitch load weighting device on car(RSL,CAN)	轿底微动开关称量装置
MRO	Manual Rescue Operation	手动救援装置
NDG	Nudging	强迫关门
OCB	Overload Circuit Breaker	过载断路器
OS-1	Overspeed Switch (governor)	限速器超速开关
OSU	Overspeed Switch in Up direction	上行超速保护开关
PES-1	First Pit Emergency Stop Switch	第一层坑急停开关
PES-2	Second Pit Emergency Stop Switch	第二层坑急停开关
PKS-1	Parking Operation	轿箱驻停开关
RHS	Removable Handwheel Switch	可移动的手轮开关
RLEV1	Rellevelling Operation	再平层
SKL-1	Car Light Disconnecting Switch (w/o safety contact)	轿箱照明开关
SL	Short Landing Distance	最小层间距
SOS	Safety Overspeed Switch	安全钳超速开关
TCIB	Top of Car Inspection Button	轿顶检修按钮
TCL	Top of Car Light	轿顶照明
THB	Thermo Contact 140°	热保护触点
TRIC1	Trip Counter	运行计数器

WARNING
THIS WORK AND THE INFORMATION IT CONTAINS ARE THE PROPERTY OF OTIS ELEVATOR COMPANY. IT IS LOANED TO YOU BY OTIS ON THE UNDERSTANDING THAT IT WILL BE USED ONLY FOR THE PROJECT OR PROJECTS FOR WHICH IT WAS OBTAINED. IT IS NOT TO BE REPRODUCED OR TRANSMITTED IN ANY FORM OR BY ANY MEANS, WITHOUT THE PRIOR WRITTEN CONSENT OF OTIS, AND THAT ON RETURN TO OTIS UNPUBLISHED WORK © OTIS ELEVATOR COMPANY ALL RIGHTS RESERVED.

DWG DAA21290CW

OTIS ENGINEERING CHINA

REV. DATE 日期	2009-01-12	2009-01-12	2009-01-12	2009-07-21
SHEET NO. 页码	1 TO 20	20A	21 TO 51	14

CHANGES					
2009-05-14	SEE SHEET 4,5,6.	(CA79A-002572) LIU/HUI	2009-07-21	SEE SHEET 14	(CA79A-003034) Shiyang
2009-06-16	SEE SHT8, SEE SHT13, SEE SHT15, SEE SHT43.	(CA79A-002919) SUN/LEI			

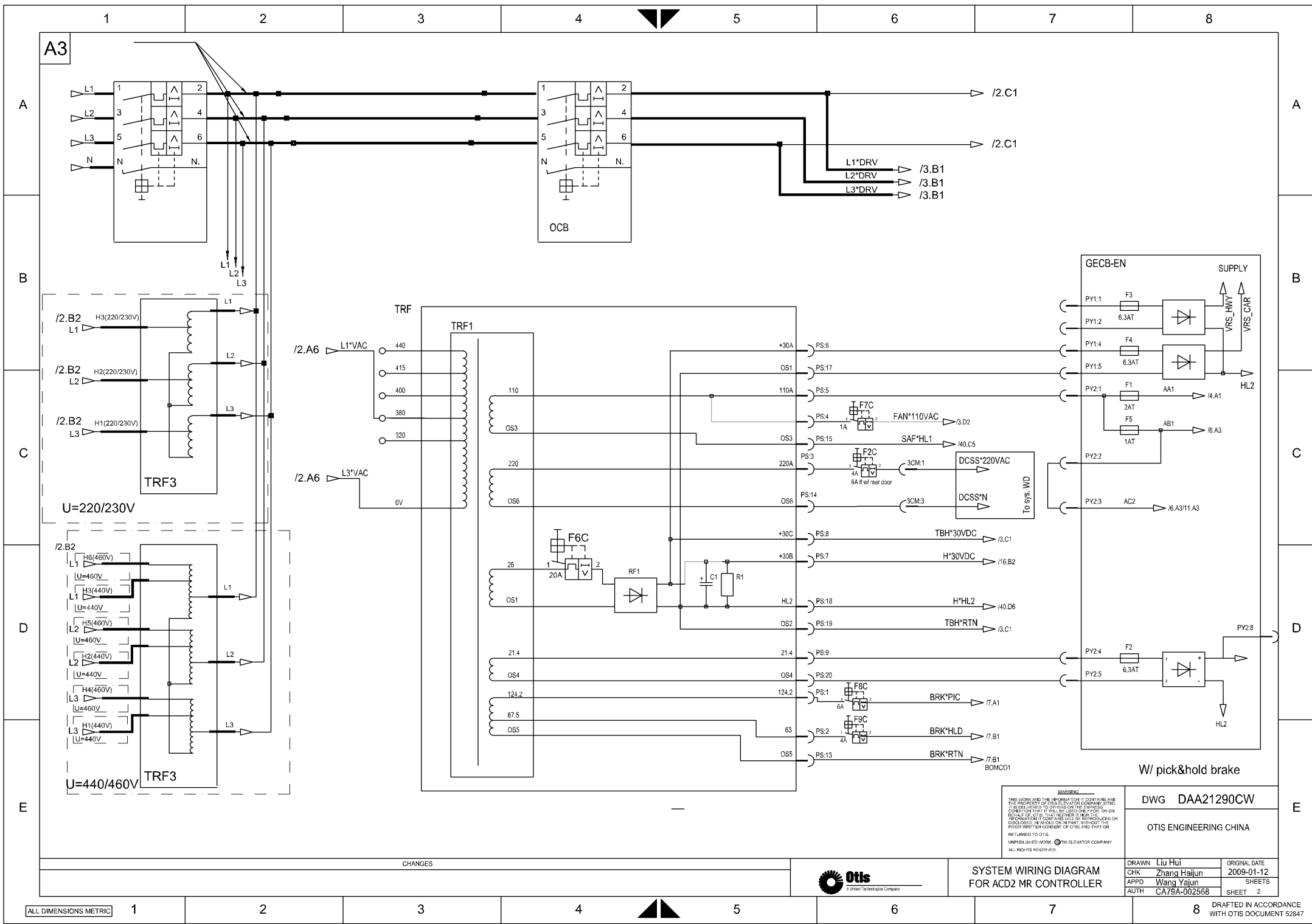


SYSTEM WIRING DIAGRAM
FOR ACD2 MR CONTROLLER

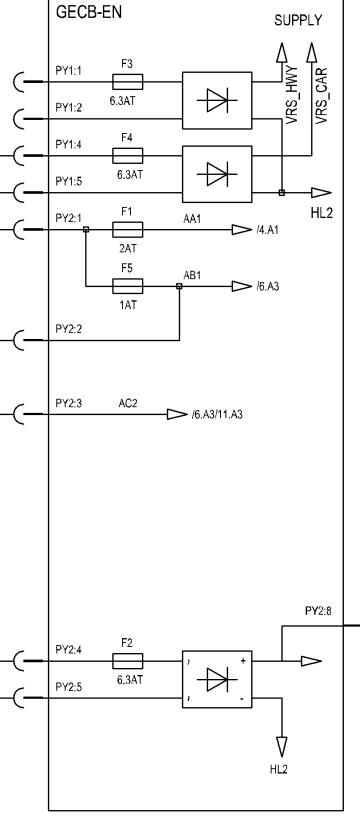
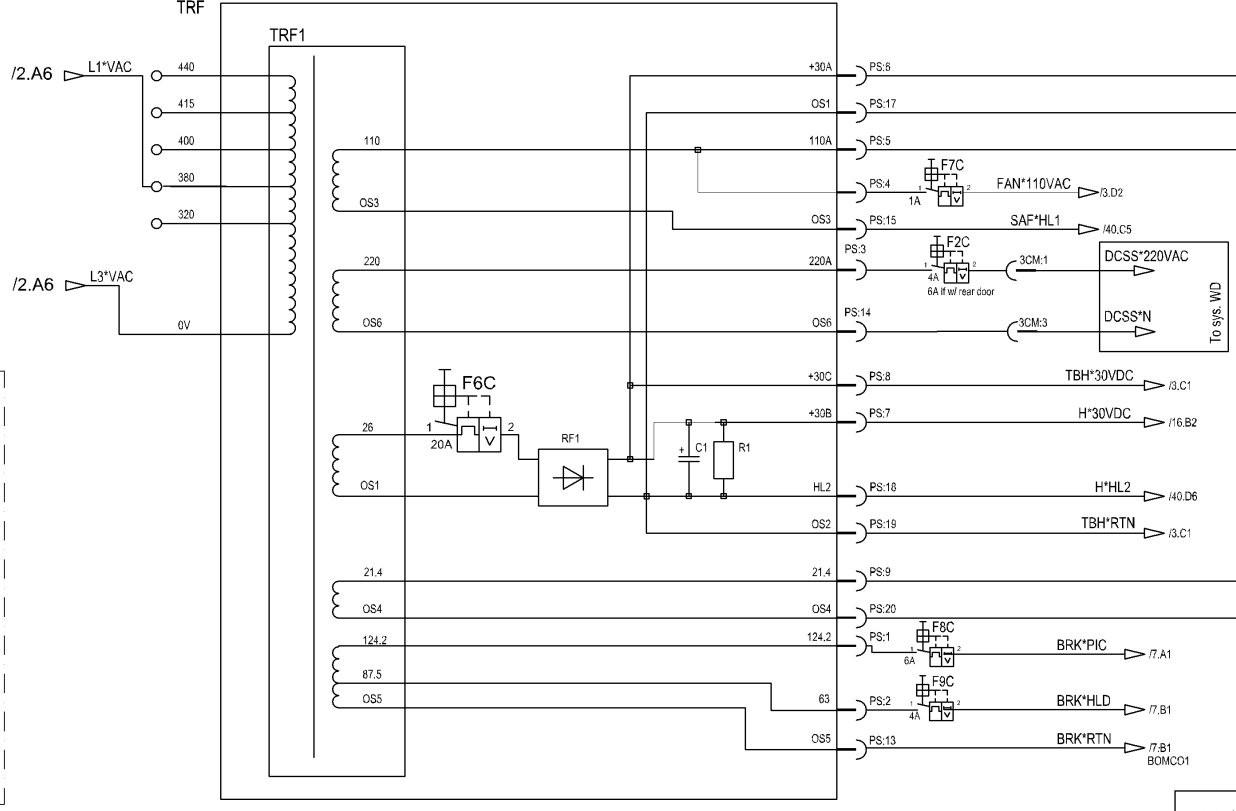
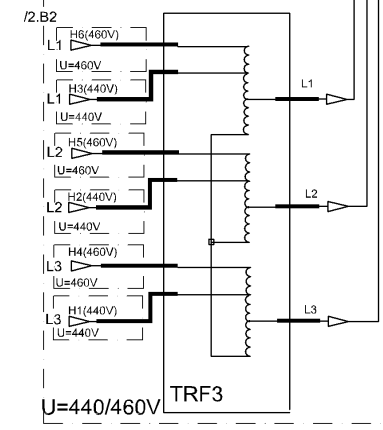
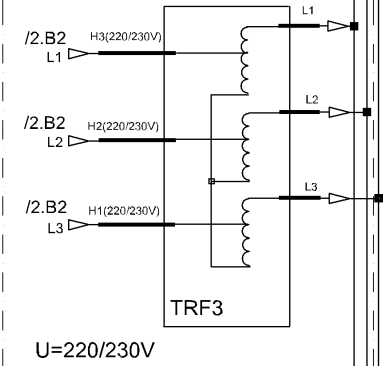
DRAWN Liu Hui	ORIGINAL DATE 2009-01-12
CHK Zhang Haijun	52 SHEETS
APPD Wang Yajun	SHEET 1
AUTH CA79A-002568	

ALL DIMENSIONS METRIC

DRAFTED IN ACCORDANCE WITH OTIS DOCUMENT 52847



A3



WARNING
THIS WORK AND THE INFORMATION IT CONTAINS ARE THE PROPERTY OF OTIS ELEVATOR COMPANY. IT IS RELEASED TO OTHERS ON THE EXPRESS CONDITION THAT IT WILL BE USED ONLY FOR THE ORIGINAL USE OF OTIS, THAT NEITHER IT NOR THE INFORMATION CONTAINED THEREIN WILL BE REPRODUCED OR DISCLOSED IN WHOLE OR IN PART, WITHOUT THE PRIOR WRITTEN CONSENT OF OTIS, AND THAT IT IS RETURNED TO OTIS.
UNPUBLISHED WORK © 1998 ELEVATOR COMPANY
ALL RIGHTS RESERVED.

DWG DAA21290CW
OTIS ENGINEERING CHINA

DRAWN Liu Hui
CHK Zhang Haijun
APPD Wang Yajun
AUTH CA78A-002568

ORIGINAL DATE 2009-01-12
SHEETS 2
SHEET 2

SYSTEM WIRING DIAGRAM FOR AC2 MR CONTROLLER

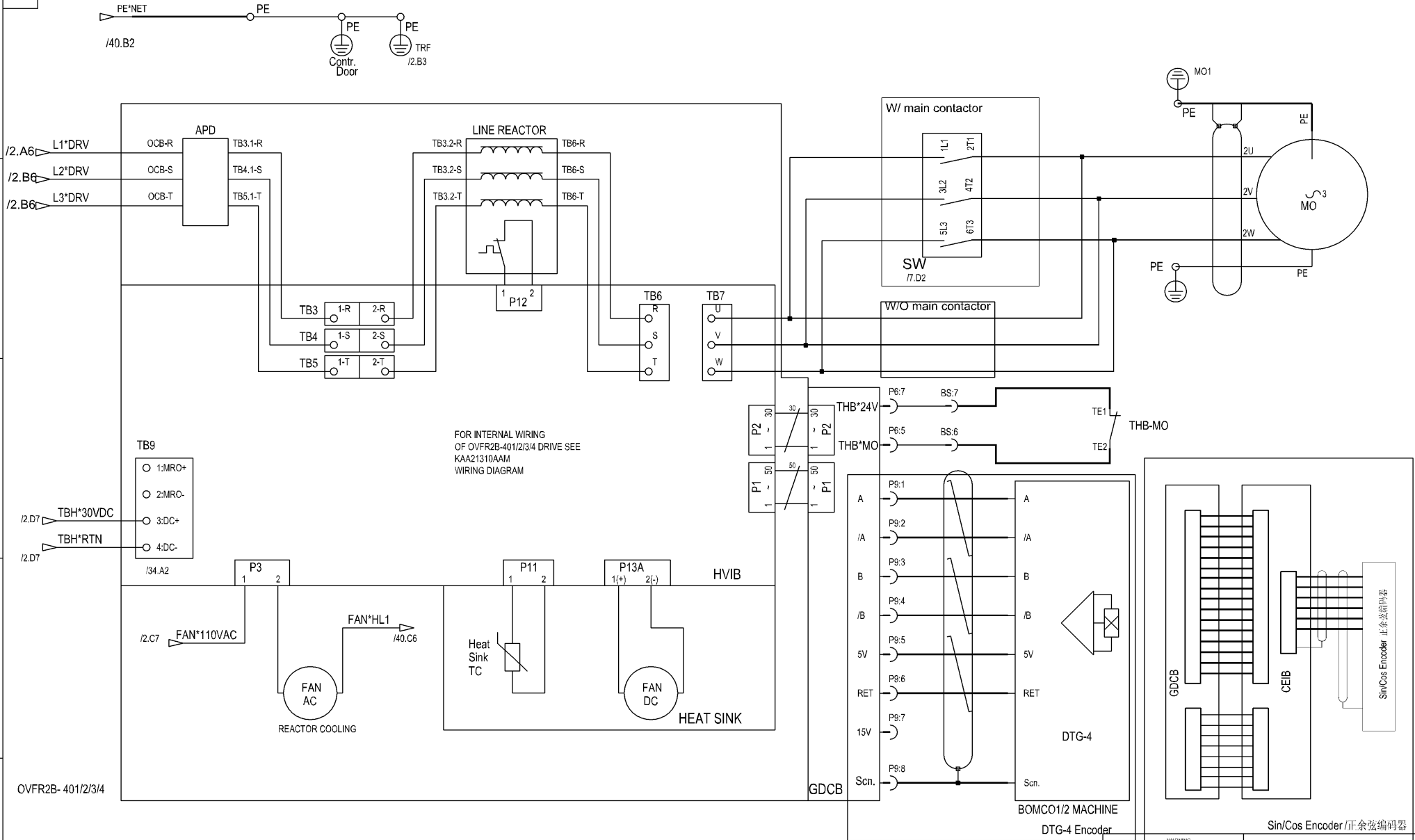


CHANGES

ALL DIMENSIONS METRIC

DRAFTED IN ACCORDANCE WITH OTIS DOCUMENT 52847

A3



FOR INTERNAL WIRING
OF OVFR2B-4012/3/4 DRIVE SEE
KAA21310AAM
WIRING DIAGRAM

THIS DOCUMENT AND THE INFORMATION IT CONTAINS ARE THE PROPERTY OF OTIS ELEVATOR COMPANY. IT IS RELEASED TO OTHERS UNDER THE CONDITION THAT IT WILL BE USED ONLY FOR THE ORIGINAL PURPOSE FOR WHICH IT WAS PROVIDED AND NOT BE REPRODUCED OR TRANSMITTED IN ANY FORM OR BY ANY MEANS, WITHOUT THE PRIOR WRITTEN CONSENT OF OTIS, AND THAT IT WILL BE RETURNED TO OTIS.
UNPUBLISHED WORK © OTIS ELEVATOR COMPANY
ALL RIGHTS RESERVED.

DWG DAA21290CW

OTIS ENGINEERING CHINA

CHANGES

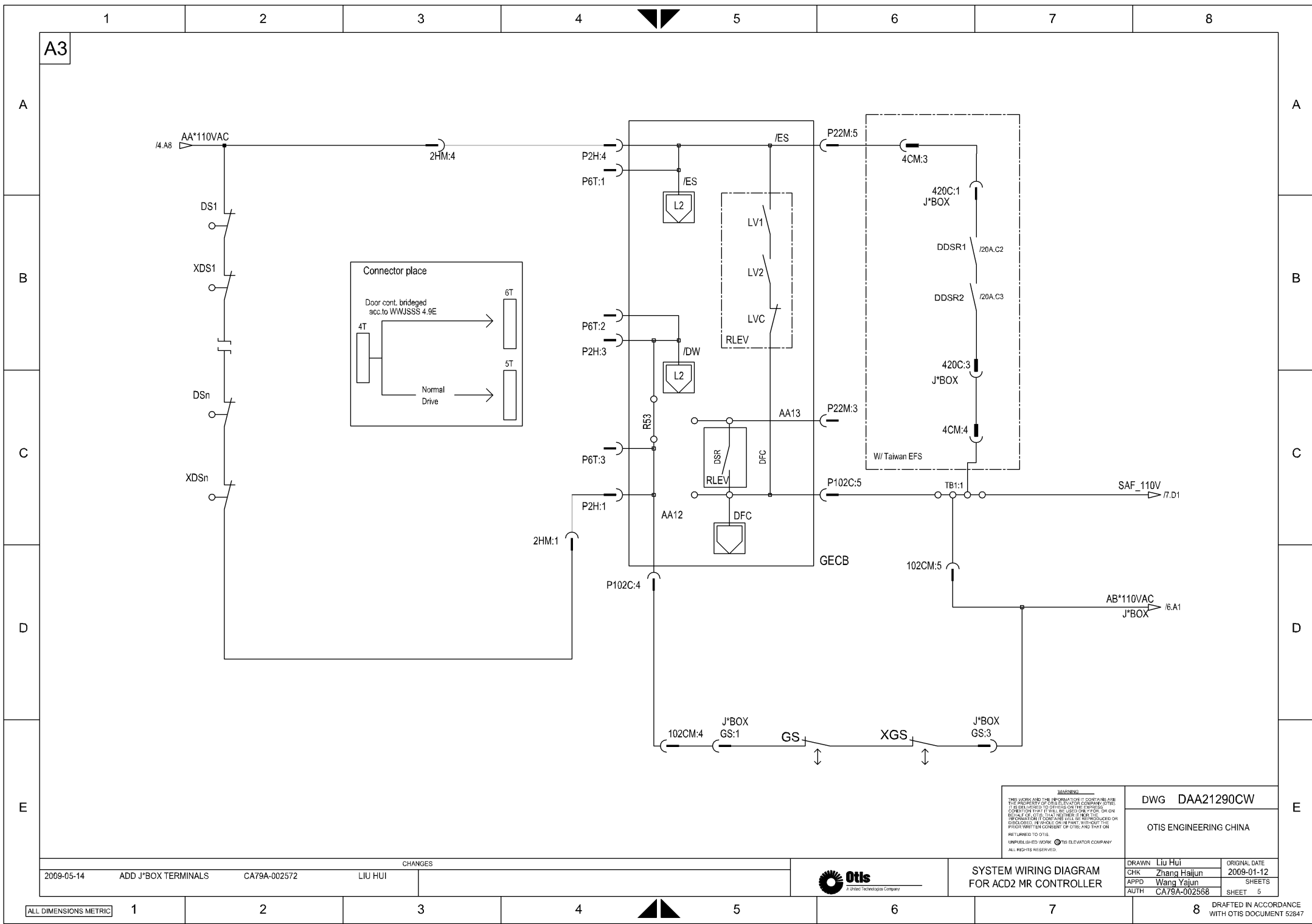


SYSTEM WIRING DIAGRAM
FOR AC2 MR CONTROLLER

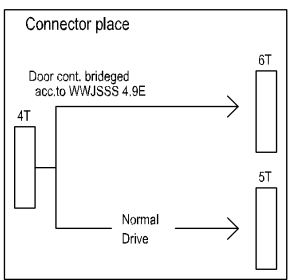
DRAWN	Liu Hui	ORIGINAL DATE	2009-01-12
CHK	Zhang Haijun	SHEETS	
APPD	Wang Yajun	SHEET	3
AUTH	CA78A-002568		

DRAFTED IN ACCORDANCE WITH OTIS DOCUMENT 52647

ALL DIMENSIONS METRIC



A3



WARNING

THIS WORK AND THE INFORMATION IT CONTAINS ARE THE PROPERTY OF OTIS ELEVATOR COMPANY. IT IS RELEASED TO OTHERS ON THE EXPRESS CONDITION THAT IT WILL BE USED ONLY FOR THE ORIGINAL USE OF OTIS. THAT NEITHER IT NOR THE INFORMATION CONTAINED HEREIN WILL BE REPRODUCED OR DISCLOSED IN WHOLE OR IN PART, WITHOUT THE PRIOR WRITTEN CONSENT OF OTIS, AND THAT ON RETURNED TO OTIS.

UNPUBLISHED WORK © OTIS ELEVATOR COMPANY ALL RIGHTS RESERVED.

DWG DAA21290CW

OTIS ENGINEERING CHINA

CHANGES			
2009-05-14	ADD J*BOX TERMINALS	CA79A-002572	LIU HUI



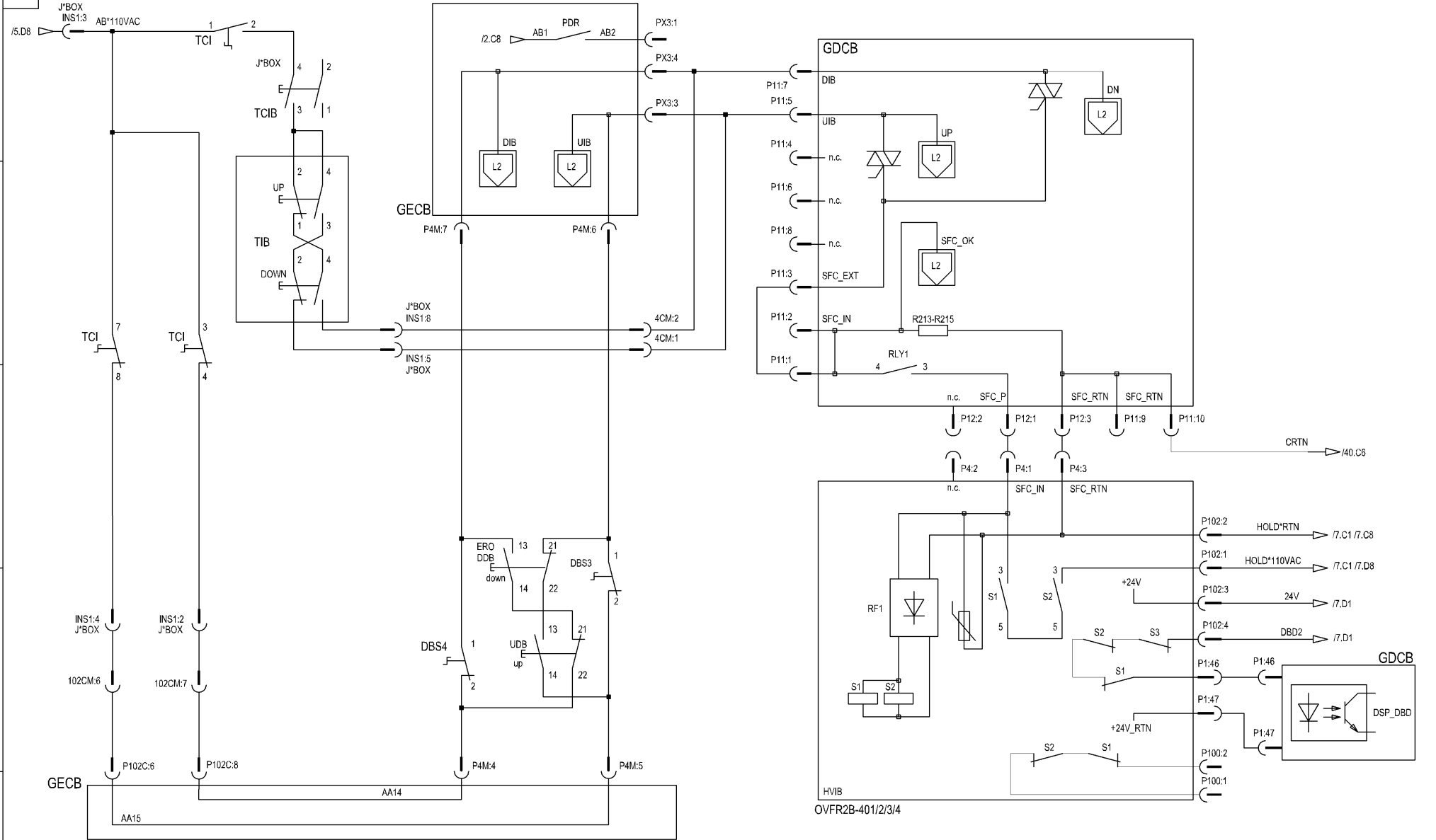
SYSTEM WIRING DIAGRAM
FOR AC2 MR CONTROLLER

DRAWN	Liu Hui	ORIGINAL DATE	2009-01-12
CHK	Zhang Haijun	SHEETS	
APPD	Wang Yajun	SHEET	5
AUTH	CA79A-002568		

ALL DIMENSIONS METRIC

DRAFTED IN ACCORDANCE WITH OTIS DOCUMENT 52647

A3



WARNING
 THIS WORK AND THE INFORMATION IT CONTAINS ARE THE PROPERTY OF OTIS ELEVATOR COMPANY (OTIS). IT IS RELEASED TO YOU UNDER A LICENSED CONDITION THAT IT WILL BE USED ONLY FOR THE ORIGINAL PURPOSE FOR WHICH IT WAS PRODUCED OR DISCLOSED. IT SHALL NOT BE REPRODUCED OR DISSEMINATED IN ANY MANNER WITHOUT THE PRIOR WRITTEN CONSENT OF OTIS, AND THAT IT IS RETURNED TO OTIS.
 UNPUBLISHED WORK © OTIS ELEVATOR COMPANY
 ALL RIGHTS RESERVED.

DWG DAA21290CW

OTIS ENGINEERING CHINA

CHANGES			
2009-05-14	ADD J'BOX TERMINALS	CA79A-002572	LIU HUI



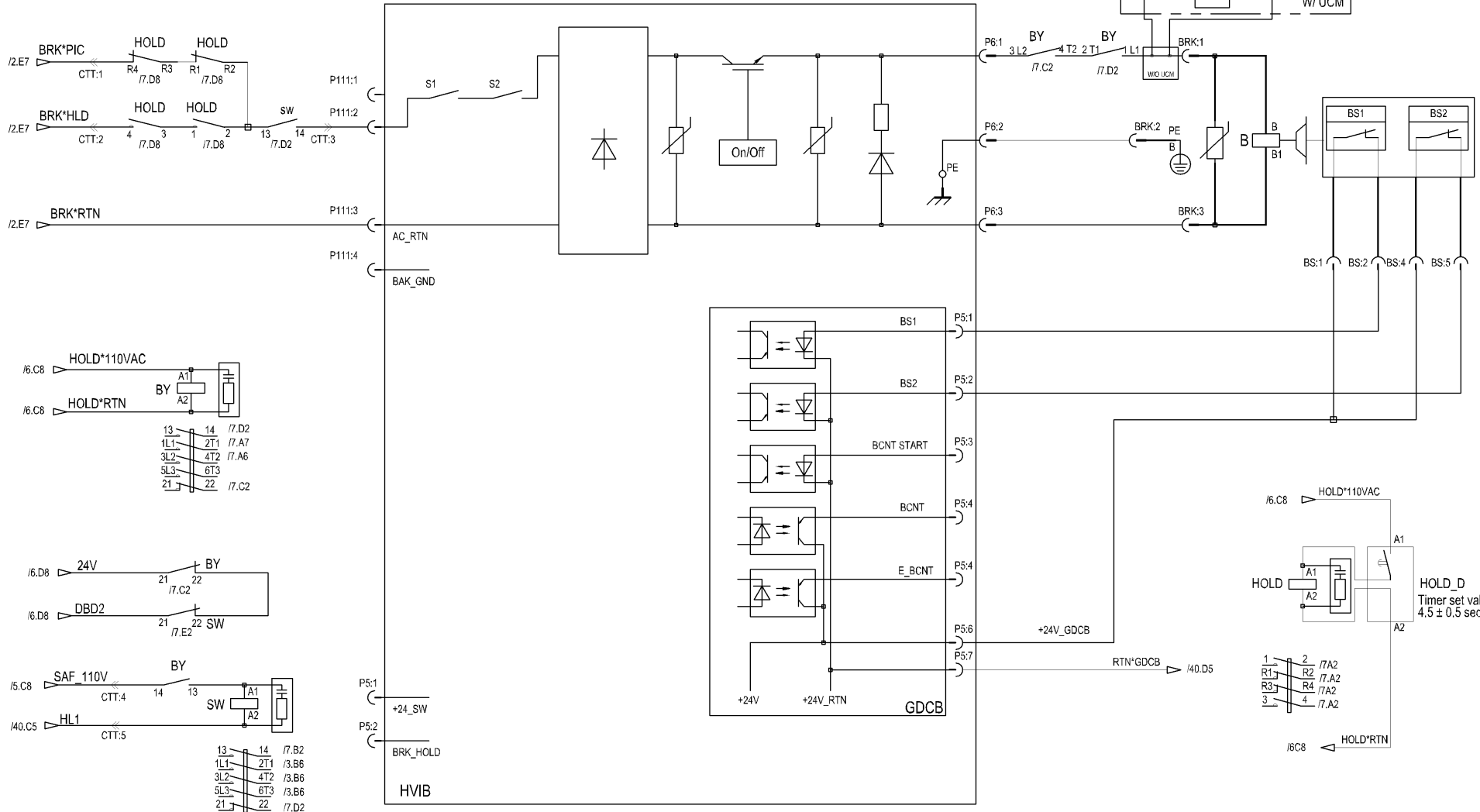
SYSTEM WIRING DIAGRAM
 FOR AC2 MR CONTROLLER

DRAWN	Liu Hui	ORIGINAL DATE	2009-01-12
CHK	Zhang Haijun	SHEETS	6
APPD	Wang Yajun	SHEET	6
AUTH	CA79A-002568		

DRAFTED IN ACCORDANCE WITH OTIS DOCUMENT 52647

ALL DIMENSIONS METRIC

A3



BOMCO I machine brake:DC110V,3.5A

WARNING
 THIS WORK AND THE INFORMATION IT CONTAINS ARE THE PROPERTY OF OTIS ELEVATOR COMPANY (OTIS). IT IS RELEASED TO OTHERS ON THE EXPRESS CONDITION THAT IT WILL BE USED ONLY FOR THE ORIGINAL USE OF OTIS, THAT NEITHER IT NOR ITS DISSEMINATION SHALL BE USED IN ANY MANNER, DIRECT OR INDIRECT, IN CONNECTION WITH THE PROMOTION OR CONSTRUCTION OF OTIS, AND THAT IT BE RETURNED TO OTIS.
 UNPUBLISHED WORK © OTIS ELEVATOR COMPANY
 ALL RIGHTS RESERVED.

DWG DAA21290CW
 OTIS ENGINEERING CHINA

SYSTEM WIRING DIAGRAM
 FOR AC2D MR CONTROLLER

DRAWN	Liu Hui	ORIGINAL DATE	2009-01-12
CHK	Zhang Haijun	SHEETS	?
APPD	Wang Yajun	SHEET	?
AUTH	CA78A-002568		

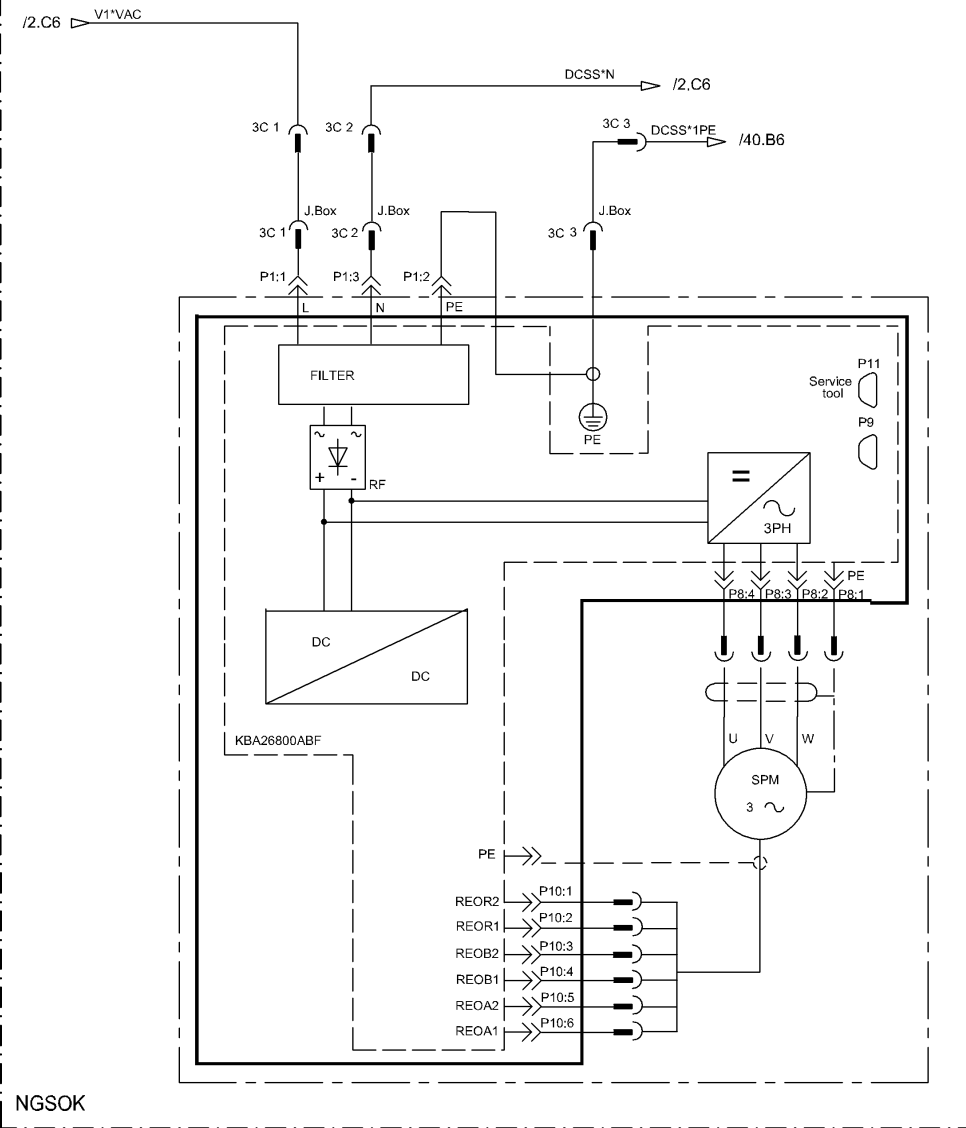
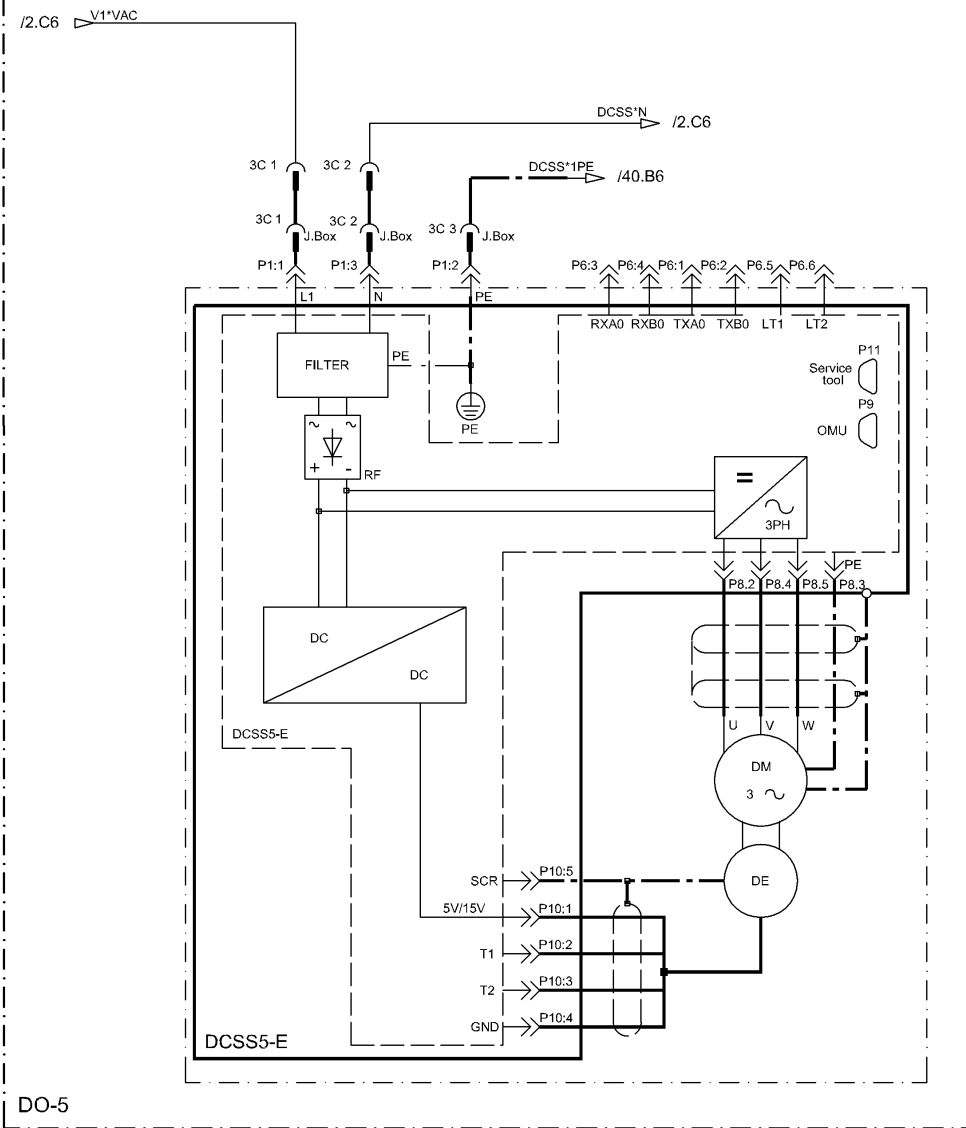
DRAFTED IN ACCORDANCE WITH OTIS DOCUMENT 52647

CHANGES



ALL DIMENSIONS METRIC

A3



DO-5

NGSOK

WARNING
 THIS WORK AND THE INFORMATION CONTAINED HEREIN ARE THE PROPERTY OF OTIS ELEVATOR COMPANY (OTIS). IT IS DELIVERED TO OWNERS ON THE EXPRESS CONDITION THAT IT WILL BE USED ONLY FOR THE WORK SPECIFIED AND NOT FOR ANY OTHER PURPOSES. OTIS DISCLAIMS ALL WARRANTIES, WHETHER WRITTEN OR ORAL, IN CONNECTION WITH THIS WORK, WITHOUT THE PREVIOUS WRITTEN CONSENT OF OTIS, AND THAT ON RETURN TO OTIS.
 UNPUBLISHED WORK © OTIS ELEVATOR COMPANY
 ALL RIGHTS RESERVED

DWG DAA21290CW

OTIS ENGINEERING CHINA

2009-06-16 ADDED DOOR OPERATOR - NGSOK. (CA79A-002919) SUN LEI

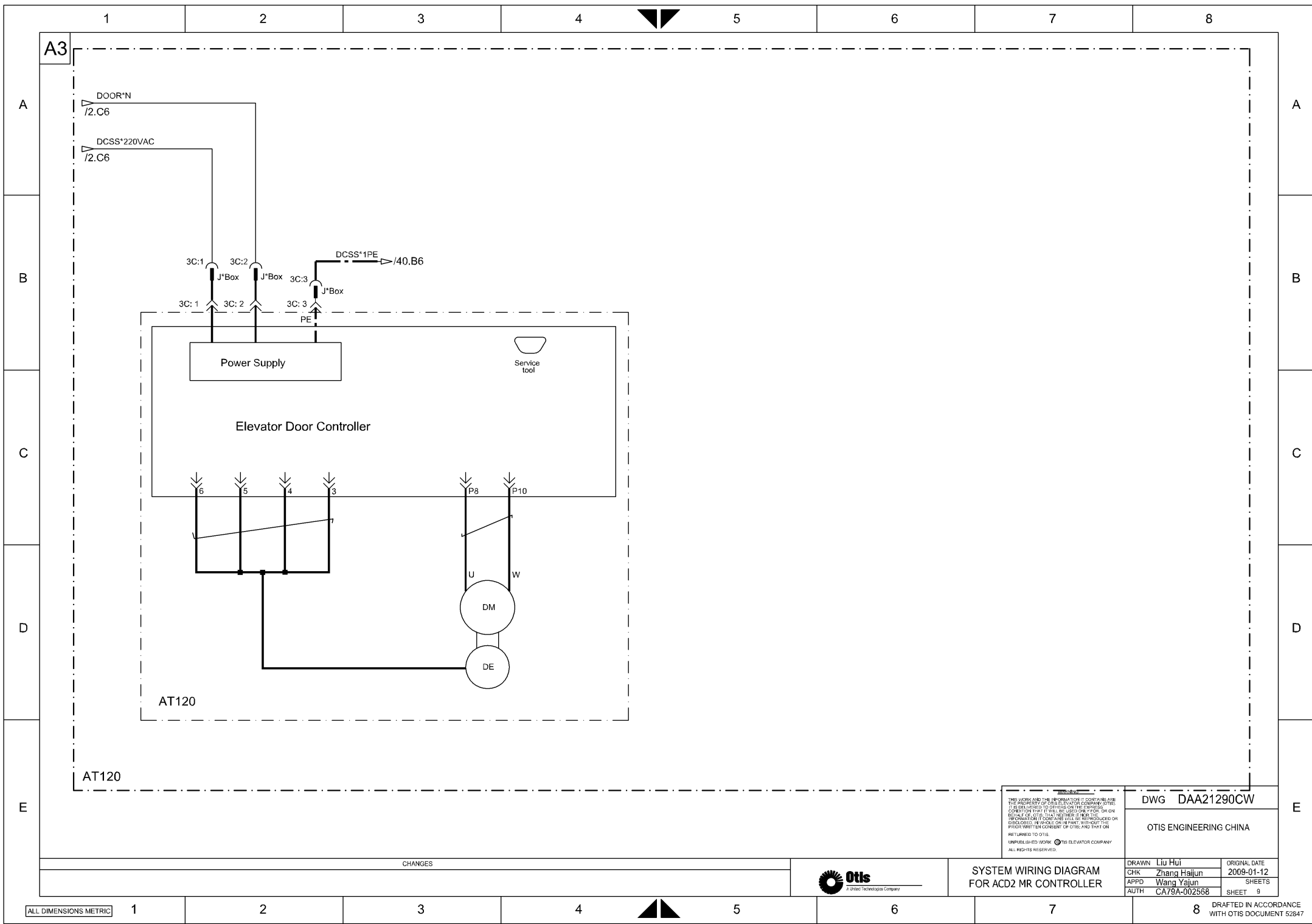


SYSTEM WIRING DIAGRAM
 FOR ACD2 MR CONTROLLER

DRAWN	Liu Hui	ORIGINAL DATE	2009-01-12
CHK	Zhang Haijun	SHEETS	8
APPD	Wang Yajun	SHEET	8
AUTH	CA79A-002568		

DRAFTED IN ACCORDANCE WITH OTIS DOCUMENT 52847

ALL DIMENSIONS METRIC



THIS WORK AND THE INFORMATION IT CONTAINS ARE THE PROPERTY OF OTIS ELEVATOR COMPANY (OTIS). IT IS RELEASED TO OTHERS ON THE EXPRESS CONDITION THAT IT WILL BE USED ONLY FOR THE ORIGINAL USE OF OTIS, THAT NEITHER IT NOR THE INFORMATION CONTAINED HEREIN WILL BE REPRODUCED OR DISCLOSED IN WHOLE OR IN PART, WITHOUT THE PRIOR WRITTEN CONSENT OF OTIS; AND THAT ON RETURNING TO OTIS, UNPUBLISHED WORK © OTIS ELEVATOR COMPANY ALL RIGHTS RESERVED.

DWG DAA21290CW

OTIS ENGINEERING CHINA

CHANGES							

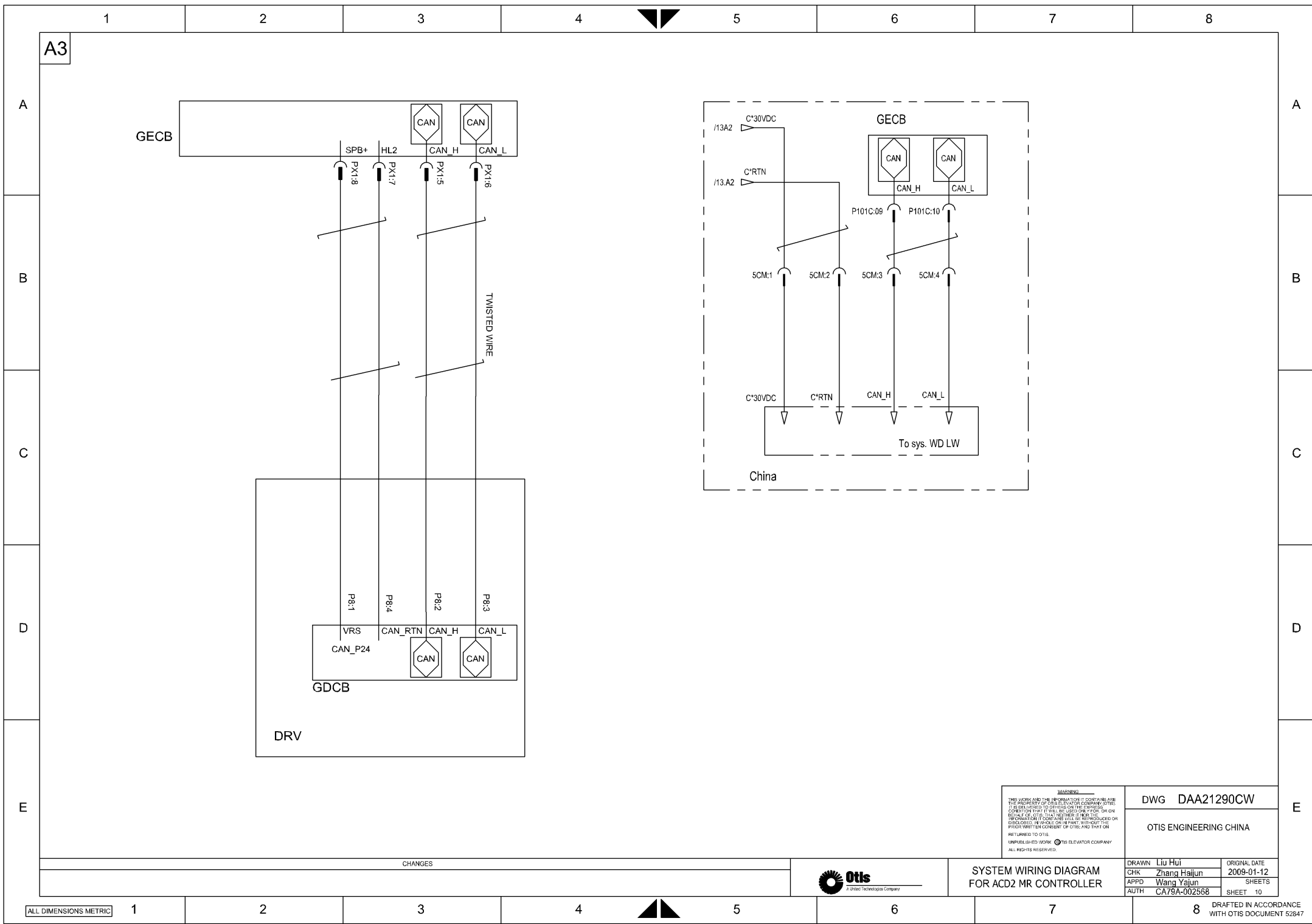


SYSTEM WIRING DIAGRAM
FOR AC2 MR CONTROLLER

DRAWN	Liu Hui	ORIGINAL DATE	2009-01-12
CHK	Zhang Haijun	SHEETS	9
APPD	Wang Yajun	SHEET	9
AUTH	CA79A-002568		

DRAFTED IN ACCORDANCE WITH OTIS DOCUMENT 52847

ALL DIMENSIONS METRIC



A3

GECB

DRV

GDCB

GECB

China

WARNING
 THIS WORK AND THE INFORMATION IT CONTAINS ARE THE PROPERTY OF OTIS ELEVATOR COMPANY (OTIS). IT IS RELEASED TO OTHERS ON THE EXPRESS CONDITION THAT IT WILL BE USED ONLY FOR THE ORIGINAL USE OF OTIS, THAT NEITHER IT NOR THE INFORMATION CONTAINED HEREIN WILL BE REPRODUCED OR DISCLOSED IN ANY MANNER WITHOUT THE PRIOR WRITTEN CONSENT OF OTIS, AND THAT ON RETURN TO OTIS, UNPUBLISHED WORK © OTIS ELEVATOR COMPANY ALL RIGHTS RESERVED.

DWG DAA21290CW

OTIS ENGINEERING CHINA

CHANGES							



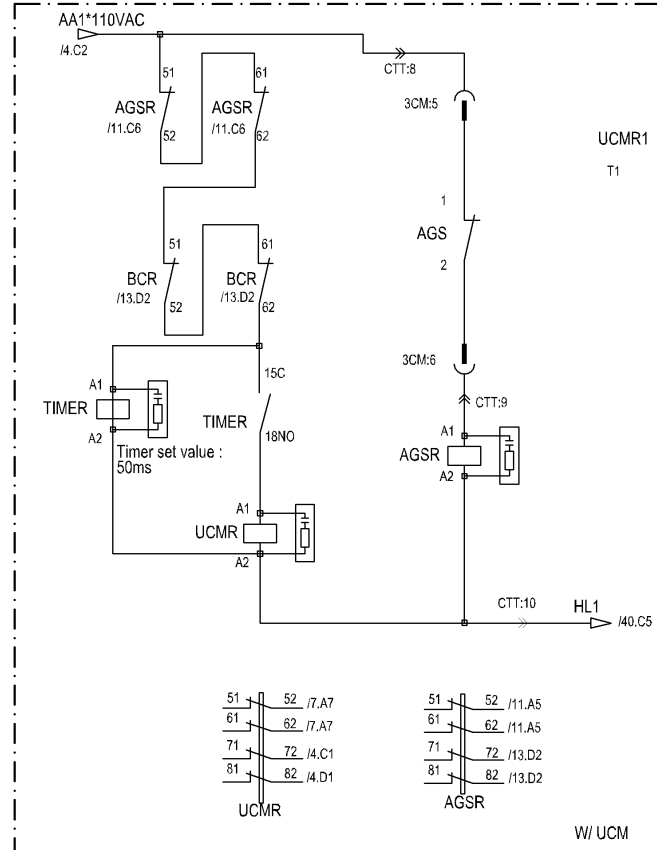
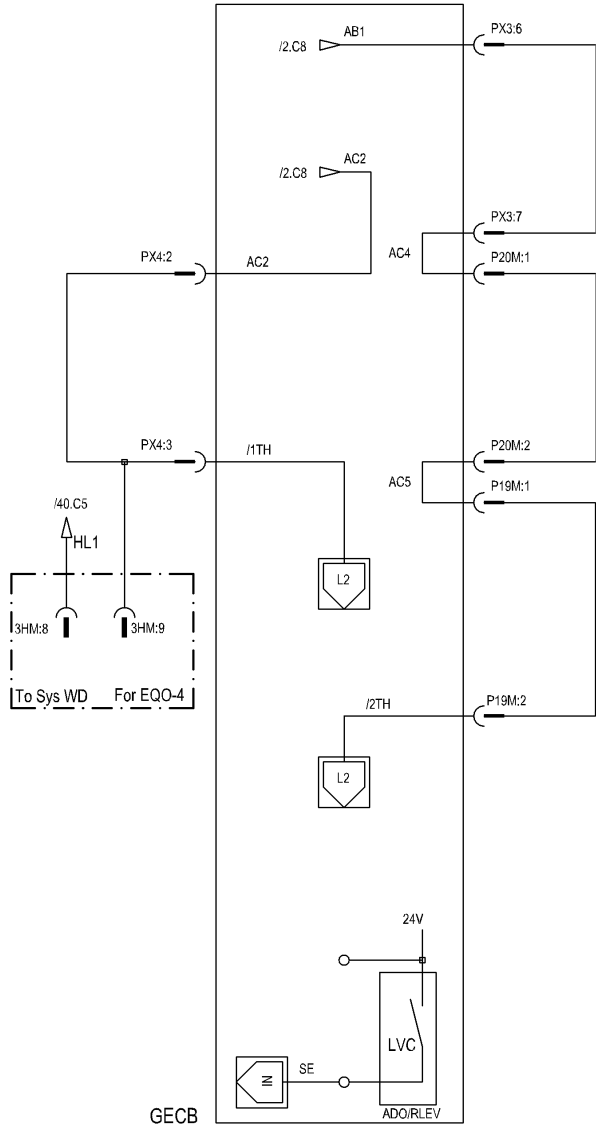
SYSTEM WIRING DIAGRAM
 FOR AC2 MR CONTROLLER

DRAWN	Liu Hui	ORIGINAL DATE	2009-01-12
CHK	Zhang Haijun	SHEETS	
APPD	Wang Yajun	SHEET	10
AUTH	CA78A-002568		

DRAFTED IN ACCORDANCE WITH OTIS DOCUMENT 52847

ALL DIMENSIONS METRIC

A3



WARNING
 THIS WORK AND THE INFORMATION IT CONTAINS ARE THE PROPERTY OF OTIS ELEVATOR COMPANY (OTIS). IT IS RELEASED TO YOU FOR THE EXPRESS CONDITION THAT IT WILL BE USED ONLY FOR THE ORIGINAL USE OF OTIS. THAT NEITHER IT NOR THE INFORMATION CONTAINED HEREIN WILL BE REPRODUCED OR DISCLOSED IN ANY MANNER WITHOUT THE PRIOR WRITTEN CONSENT OF OTIS; AND THAT ON RETURN TO OTIS, UNPUBLISHED WORK © 2009 ELEVATOR COMPANY ALL RIGHTS RESERVED.

DWG DAA21290CW
 OTIS ENGINEERING CHINA

CHANGES	

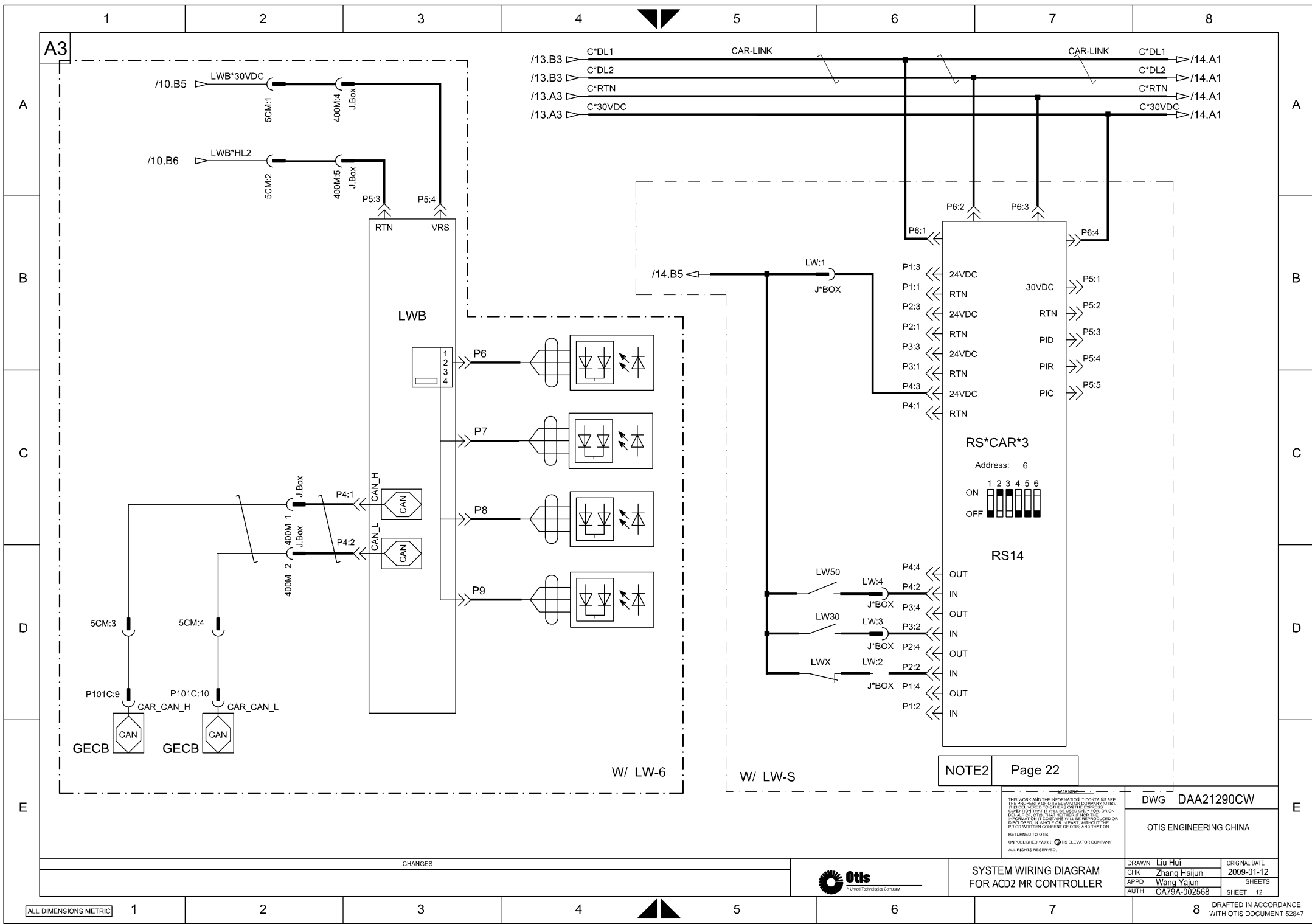


SYSTEM WIRING DIAGRAM
 FOR AC2 MR CONTROLLER

DRAWN	Liu Hui	ORIGINAL DATE	2009-01-12
CHK	Zhang Haijun	SHEETS	
APPD	Wang Yajun	SHEET	11
AUTH	CA78A-002568		

DRAFTED IN ACCORDANCE WITH OTIS DOCUMENT 52847

ALL DIMENSIONS METRIC



NOTE2 Page 22

THIS WORK AND THE INFORMATION IT CONTAINS ARE THE PROPERTY OF OTIS ELEVATOR COMPANY. IT IS RELEASED TO OTHERS ON THE EXPRESS CONDITION THAT IT WILL BE USED ONLY FOR THE ORIGINAL USE OF OTIS. THAT NEITHER IT NOR THE INFORMATION CONTAINED HEREIN WILL BE REPRODUCED OR DISCLOSED IN ANY MANNER WITHOUT THE PRIOR WRITTEN CONSENT OF OTIS; AND THAT ON RETURNED TO OTIS. UNPUBLISHED WORK. © 2009 ELEVATOR COMPANY. ALL RIGHTS RESERVED.

DWG DAA21290CW

OTIS ENGINEERING CHINA



SYSTEM WIRING DIAGRAM FOR AC2 MR CONTROLLER

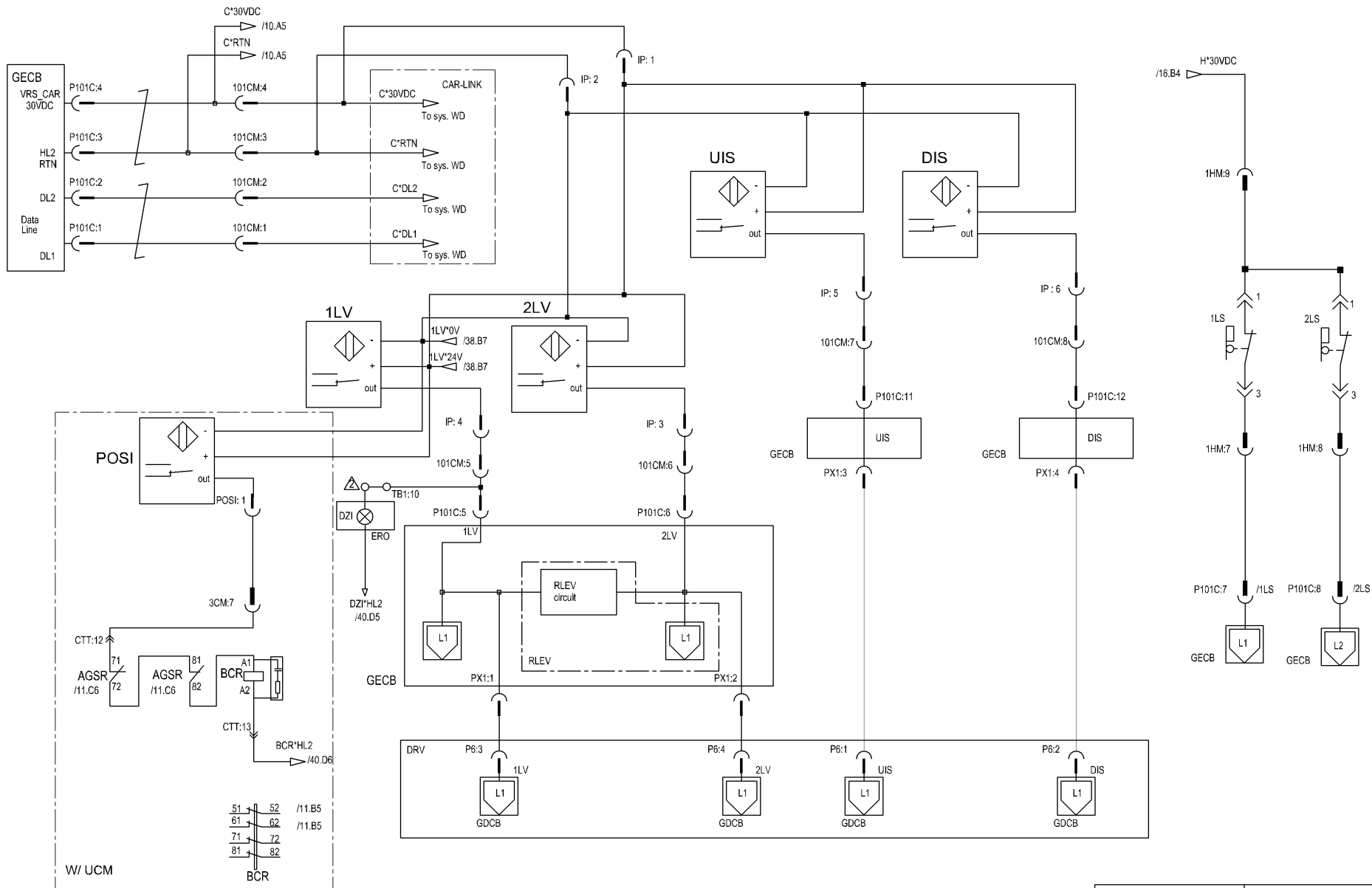
DRAWN	Liu Hui	ORIGINAL DATE	2009-01-12
CHK	Zhang Haijun	SHEETS	
APPD	Wang Yajun	SHEET	12
AUTH	CA78A-002568		

DRAFTED IN ACCORDANCE WITH OTIS DOCUMENT 52847

ALL DIMENSIONS METRIC

CHANGES

A3



WARNING
 THIS WORK AND THE INFORMATION CONTAINED HEREIN ARE THE PROPERTY OF OTIS ELEVATOR COMPANY (OTIS). IT IS LOANED TO YOU ON THE EXPRESS CONDITION THAT IT WILL BE USED ONLY FOR THE PROJECT SPECIFICALLY IDENTIFIED HEREIN. IT IS TO BE RETURNED TO OTIS UPON THE COMPLETION OF THE PROJECT OR AT THE END OF THE PROJECT. UNLESS OTHERWISE SPECIFIED, ALL RIGHTS ARE RESERVED.

DWG DAA21290CW

OTIS ENGINEERING CHINA

CHANGES			
2009-06-16	△ CANCELED "TB1:9".	(CA79A-002919)	SUNLEI



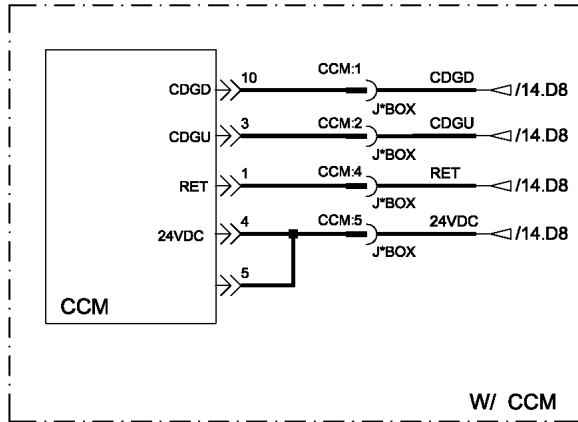
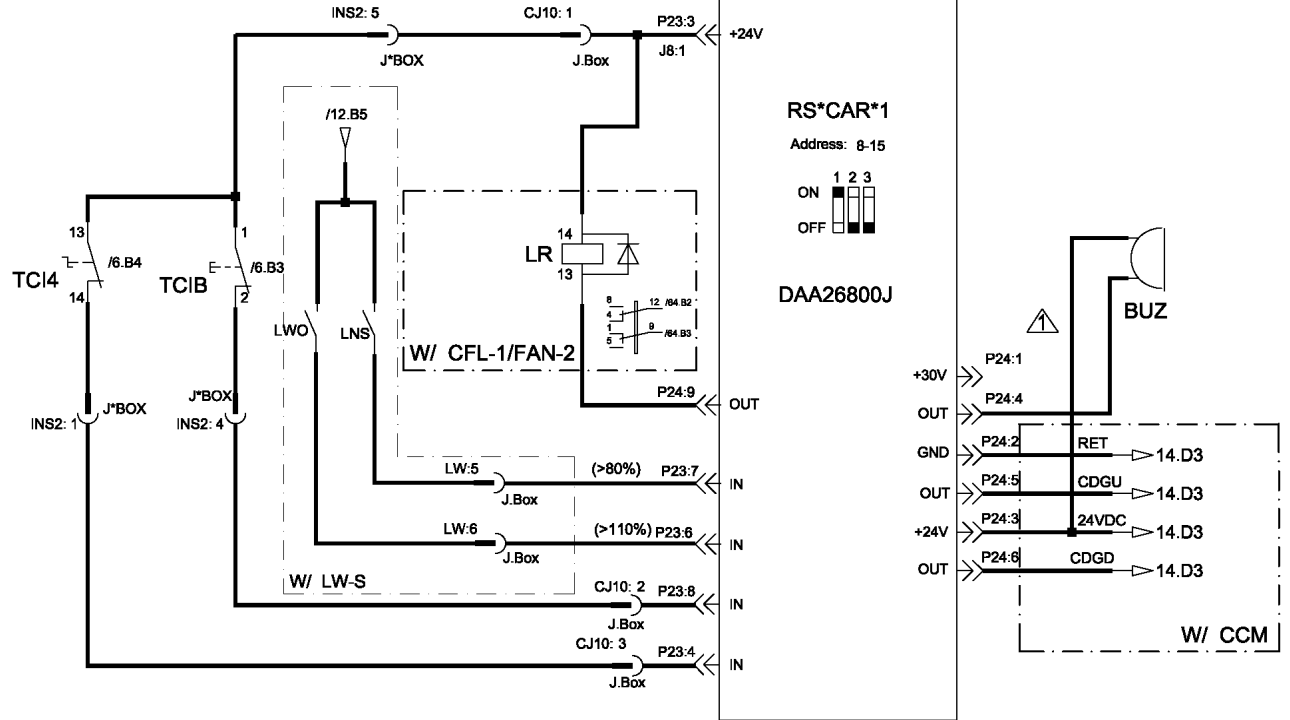
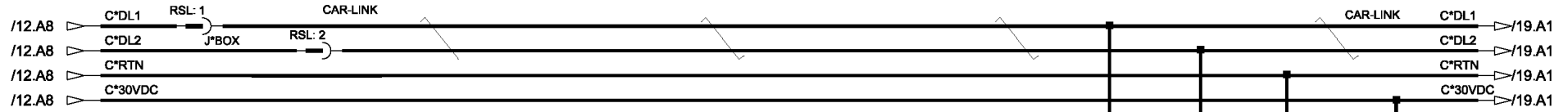
SYSTEM WIRING DIAGRAM
 FOR AC2 MR CONTROLLER

DRAWN	Liu Hui	ORIGINAL DATE	2009-01-12
CHK	Zhang Haijun	SHEETS	
APPD	Wang Yajun	SHEET	13
AUTH	CA79A-002568		

DRAFTED IN ACCORDANCE WITH OTIS DOCUMENT 52847

ALL DIMENSIONS METRIC

A3



NOTE1 Page 22

WARNING
 THIS WORK AND THE INFORMATION IT CONTAINS ARE THE PROPERTY OF OTIS ELEVATOR COMPANY. IT IS DELIVERED TO YOU BY OTIS ON THE EXPRESS CONDITION THAT IT WILL BE USED ONLY FOR THE INTENDED PURPOSE AND NOT BE REPRODUCED OR DISCLOSED IN ANY MANNER WITHOUT THE PRIOR WRITTEN CONSENT OF OTIS, AND THAT ON RETURNED TO OTIS.
 UNPUBLISHED WORK © 2009 ELEVATOR COMPANY ALL RIGHTS RESERVED.

DWG DAA21290CW

OTIS ENGINEERING CHINA

2009-07-21 CHANGE THE WIRING, REGEN THE VIEW.

(CA79A-003034) Shiyang



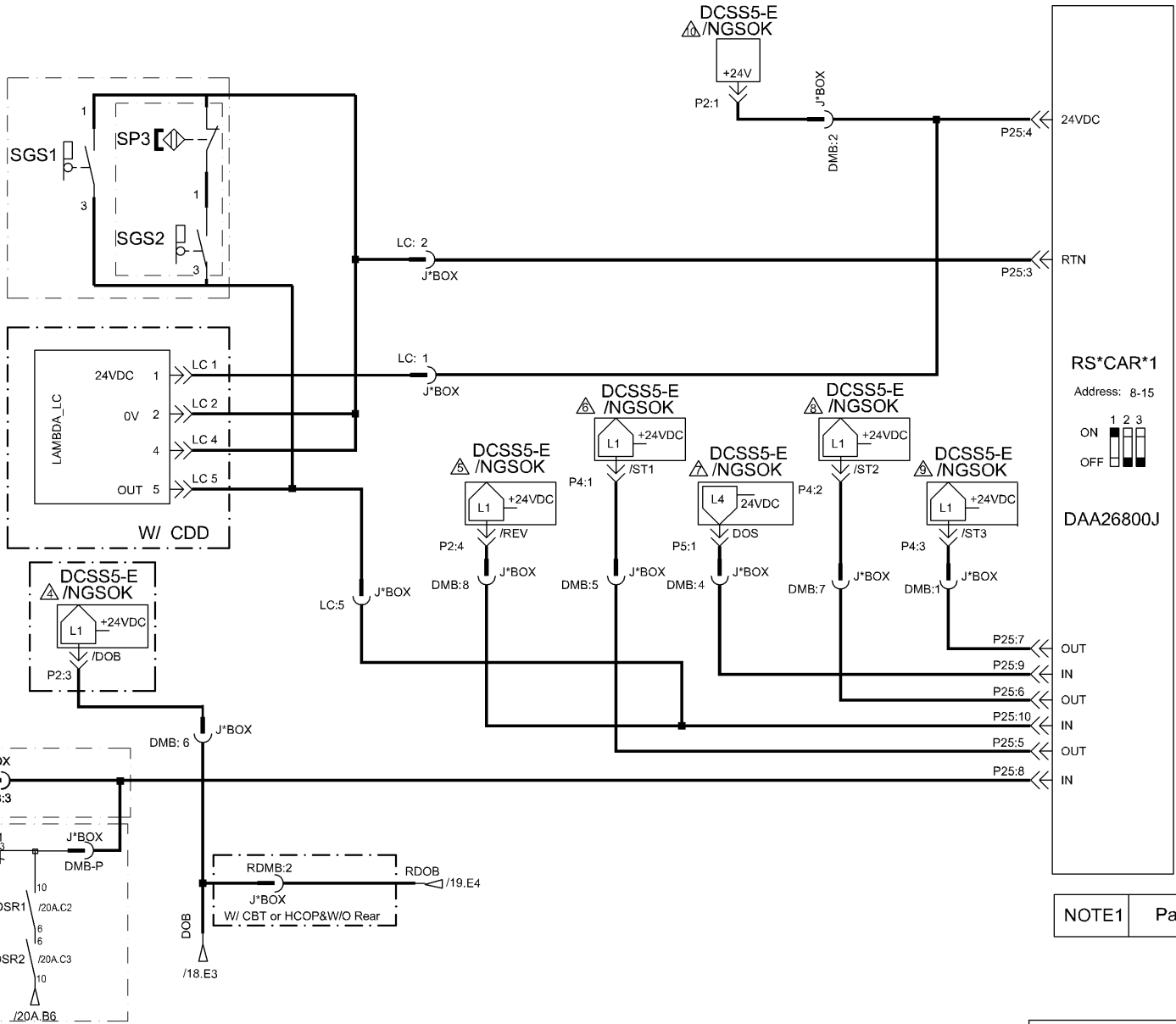
SYSTEM WIRING DIAGRAM FOR ACD2 MR CONTROLLER

DRAWN	Liu Hui	ORIGINAL DATE	2009-01-12
CHK	Zhang Haijun	SHEETS	
APPD	Wang Yajun	SHEET	14
AUTH	CA79A-002668		

DRAFTED IN ACCORDANCE WITH OTIS DOCUMENT 62847

ALL DIMENSIONS METRIC

A3



RS*CAR*1
Address: 8-15

ON 1 2 3
OFF

DAA26800J

OUT P25:7
IN P25:9
OUT P25:6
IN P25:10
OUT P25:5
IN P25:8

NOTE1 Page 22

WARNING
THIS WORK AND THE INFORMATION CONTAINED HEREIN ARE THE PROPERTY OF OTIS ELEVATOR COMPANY (OTIS). IT IS DELIVERED TO OWNERS ON THE EXPRESS CONDITION THAT IT WILL BE USED ONLY FOR THE ON-SITE PURPOSES AND NOT BE REPRODUCED, COPIED, OR TRANSMITTED IN ANY FORM OR BY ANY MEANS, ELECTRONIC OR MECHANICAL, INCLUDING PHOTOCOPYING, RECORDING, OR BY ANY INFORMATION STORAGE AND RETRIEVAL SYSTEM, WITHOUT THE PRIOR WRITTEN CONSENT OF OTIS, AND THAT ON RETURN TO OTIS, UNPUBLISHED WORK © IS ELEVATOR COMPANY ALL RIGHTS RESERVED.

DWG DAA21290CW

OTIS ENGINEERING CHINA

2009-06-16 ADDED "NGSOK". (CA79A-002919) SUN LEI

CHANGES		
2009-06-16	ADDED "NGSOK".	(CA79A-002919) SUN LEI

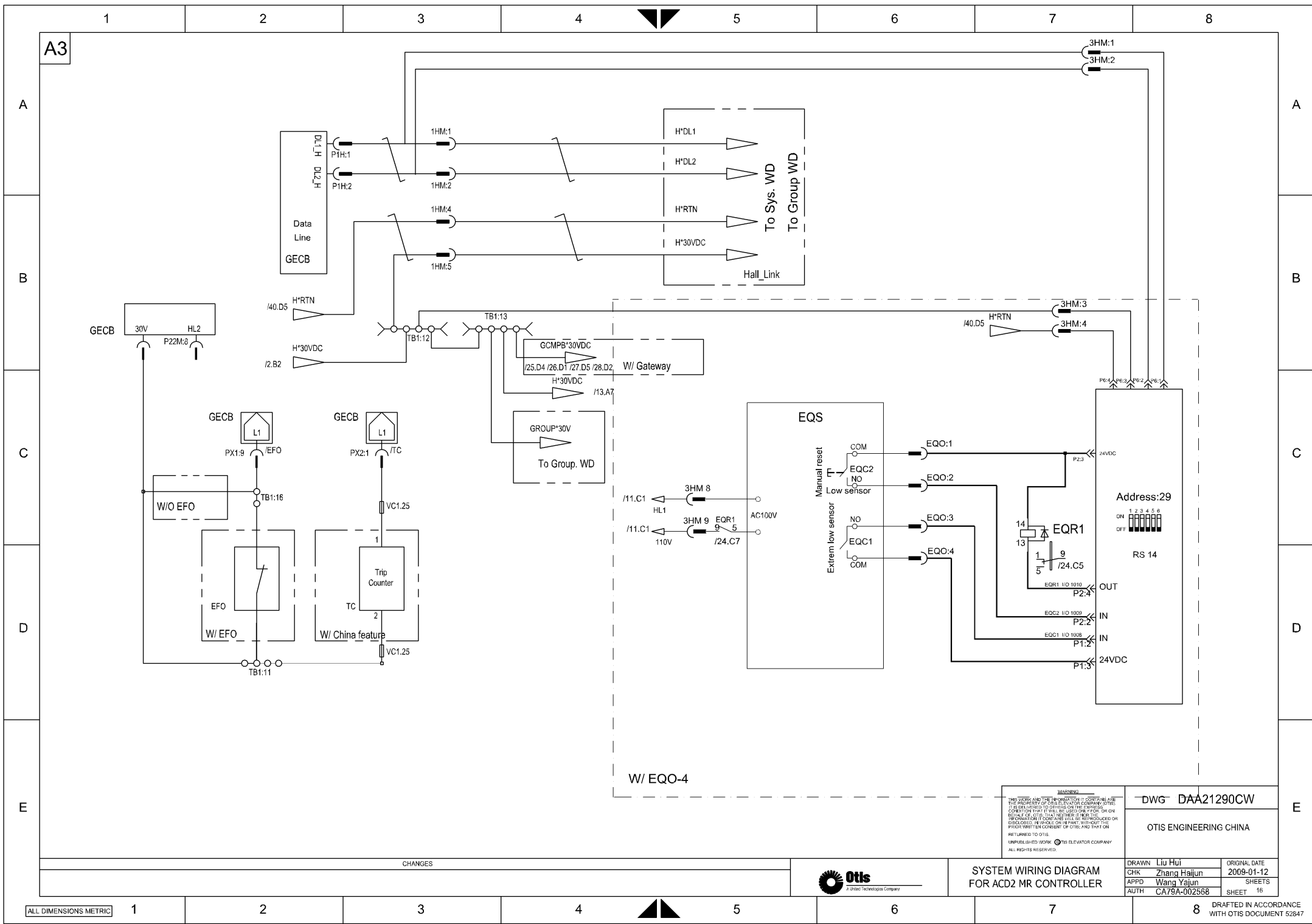


SYSTEM WIRING DIAGRAM
FOR AC2 MR CONTROLLER

DRAWN	Liu Hui	ORIGINAL DATE	2009-01-12
CHK	Zhang Haijun	SHEETS	
APPD	Wang Yajun	SHEET	15
AUTH	CA79A-002568		

DRAFTED IN ACCORDANCE WITH OTIS DOCUMENT 52847

ALL DIMENSIONS METRIC



WARNING
 THIS WIRING AND THE INFORMATION IT CONTAINS ARE THE PROPERTY OF OTIS ELEVATOR COMPANY. IT IS RELEASED TO OTHERS ON THE EXPRESS CONDITION THAT IT WILL BE USED ONLY FOR THE ORIGINAL USE OF OTIS. THAT NEITHER IT NOR DISCOVERED IN CONNECTION WITH IT, WILL BE REPRODUCED OR TRANSMITTED IN ANY FORM OR BY ANY MEANS, WITHOUT THE PRIOR WRITTEN CONSENT OF OTIS; AND THAT ON RETURNED TO OTIS.
 UNPUBLISHED WORK © OTIS ELEVATOR COMPANY ALL RIGHTS RESERVED.

DWG: DAA21290CW
 OTIS ENGINEERING CHINA

SYSTEM WIRING DIAGRAM
 FOR AC2 MR CONTROLLER

DRAWN	Liu Hui	ORIGINAL DATE	2009-01-12
CHK	Zhang Haijun	SHEETS	16
APPD	Wang Yajun	SHEET	16
AUTH	CA78A-002568		

DRAFTED IN ACCORDANCE WITH OTIS DOCUMENT 52647

CHANGES



ALL DIMENSIONS METRIC

A3

A

B

C

D

E

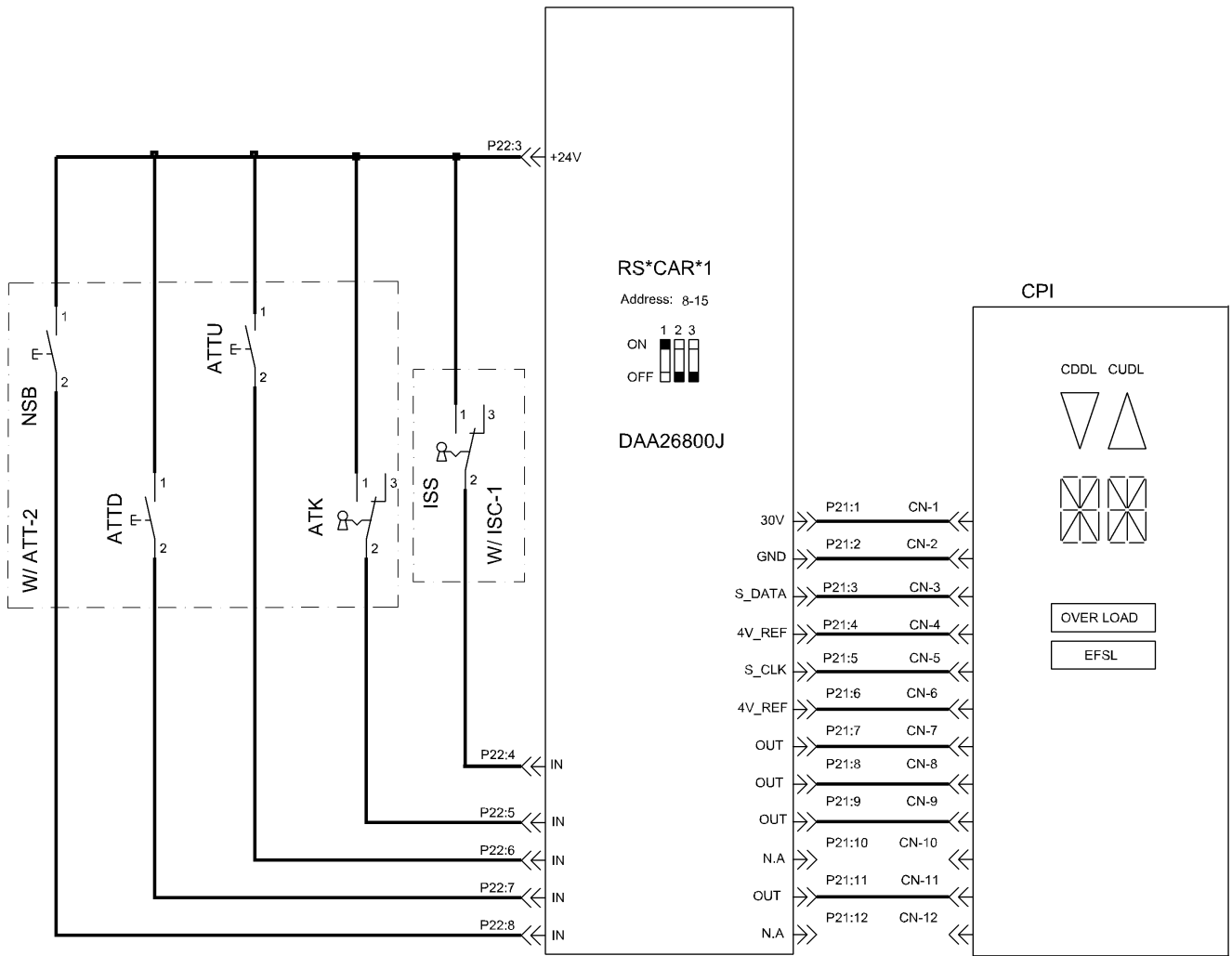
A

B

C

D

E



NOTE1 Page 22

WARNING
 THIS WORK AND THE INFORMATION IT CONTAINS ARE THE PROPERTY OF OTIS ELEVATOR COMPANY (OTIS). IT IS RELEASED TO YOU HERE ON THE EXPRESS CONDITION THAT IT WILL BE USED ONLY FOR THE ORIGINAL USE OF OTIS. THAT NEITHER IT NOR THE INFORMATION CONTAINED HEREIN WILL BE REPRODUCED OR DISCLOSED IN ANY MANNER WITHOUT THE PRIOR WRITTEN CONSENT OF OTIS; AND THAT ON RETURNED TO OTIS.
 UNPUBLISHED WORK © OTIS ELEVATOR COMPANY ALL RIGHTS RESERVED.

DWG DAA21290CW
 OTIS ENGINEERING CHINA

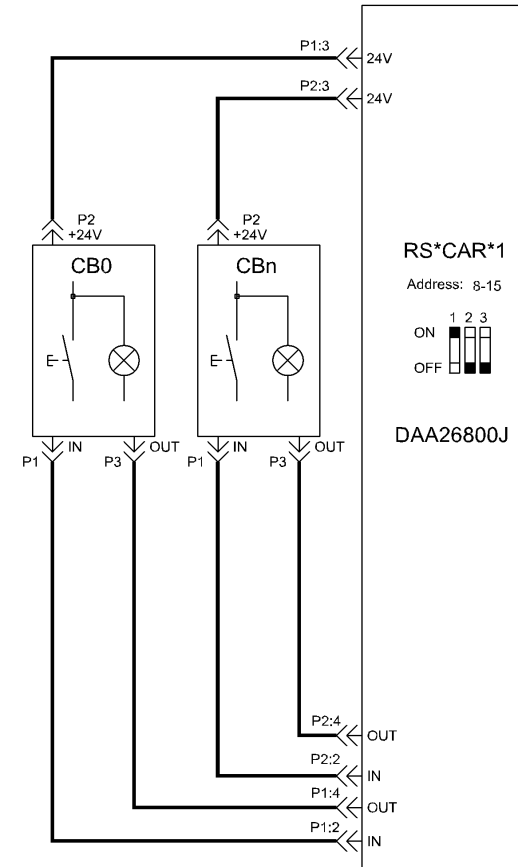
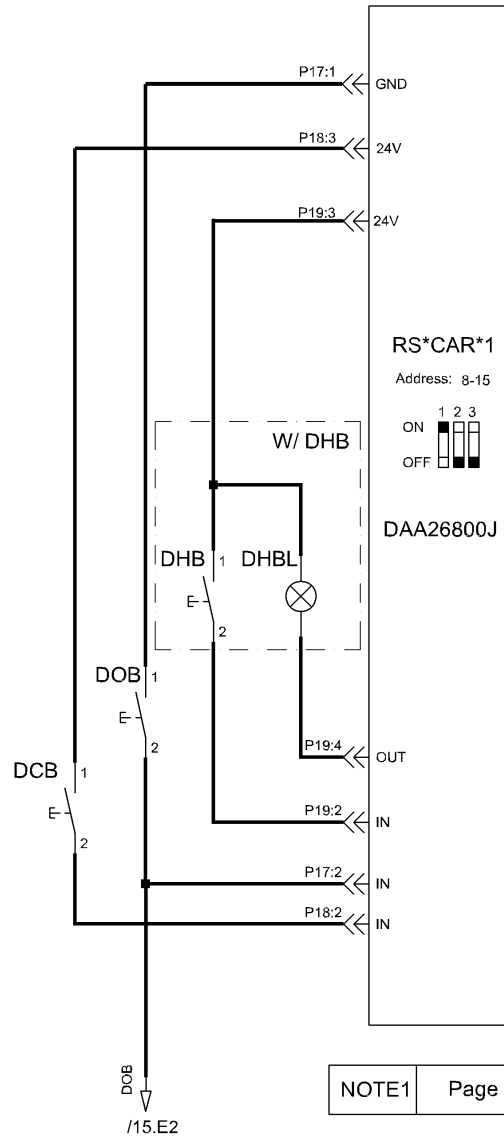
CHANGES	



SYSTEM WIRING DIAGRAM
 FOR AC2 MR CONTROLLER

DRAWN	Liu Hui	ORIGINAL DATE	2009-01-12
CHK	Zhang Haijun	SHEETS	
APPD	Wang Yajun	SHEET	17
AUTH	CA79A-002568		

A3



NOTE1 Page 22

NOTE1 Page 22

WARNING

THIS WORK AND THE INFORMATION IT CONTAINS ARE THE PROPERTY OF OTIS ELEVATOR COMPANY. IT IS RELEASED TO YOU ON THE EXPRESS CONDITION THAT IT WILL BE USED ONLY FOR THE ORIGINAL USE OF OTIS. THAT NEITHER IT NOR DISCOVERED OR MODIFIED OR REPRODUCED OR DISCLOSED IN WHOLE OR IN PART, WITHOUT THE PRIOR WRITTEN CONSENT OF OTIS; AND THAT ON RETURNED TO OTIS.

UNPUBLISHED WORK © OTIS ELEVATOR COMPANY ALL RIGHTS RESERVED.

DWG DAA21290CW

OTIS ENGINEERING CHINA

SYSTEM WIRING DIAGRAM FOR AC2 MR CONTROLLER

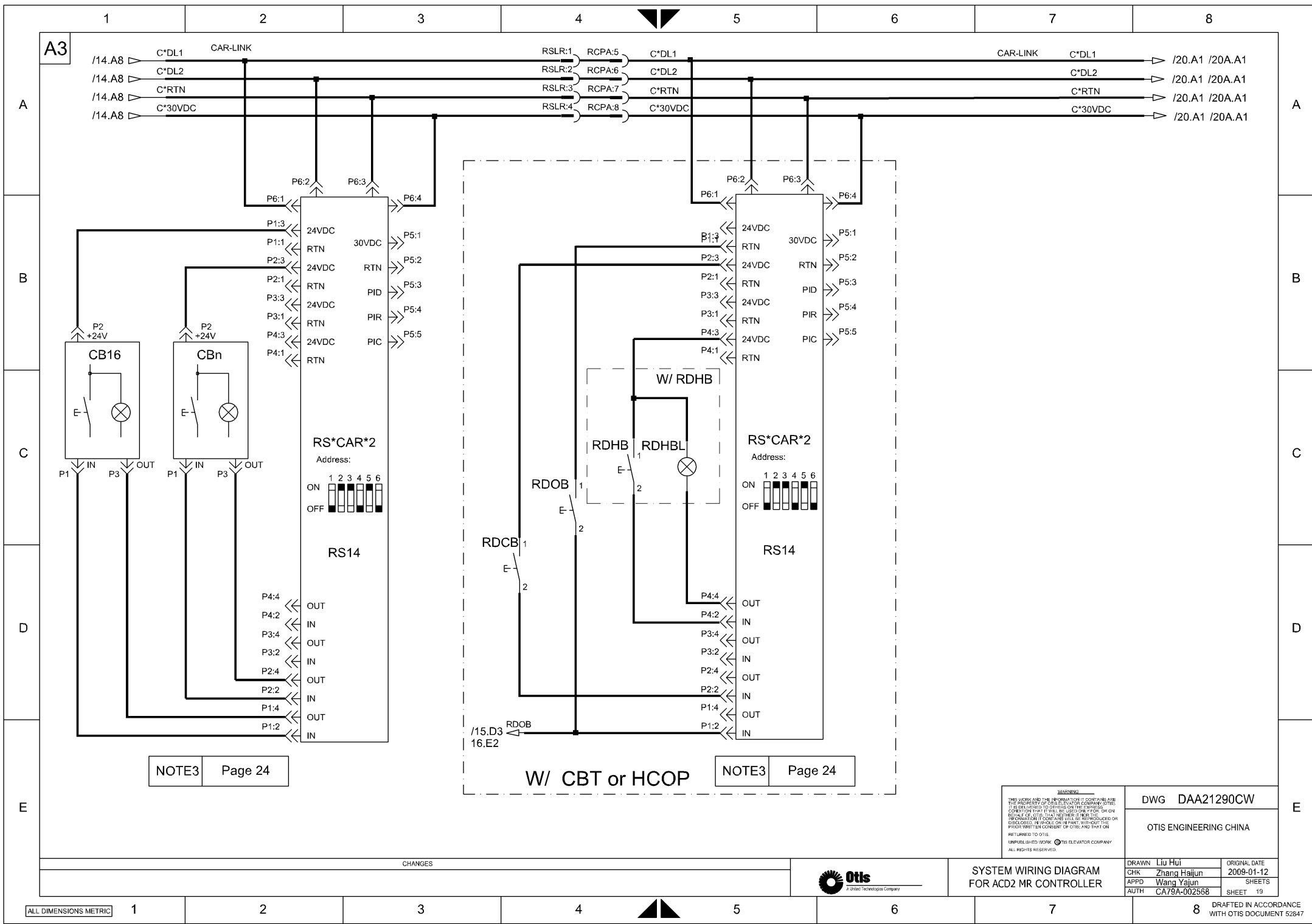
DRAWN	Liu Hui	ORIGINAL DATE	2009-01-12
CHK	Zhang Haijun	SHEETS	
APPD	Wang Yajun	SHEET	18
AUTH	CA79A-002568		

8 DRAFTED IN ACCORDANCE WITH OTIS DOCUMENT 52647

CHANGES



ALL DIMENSIONS METRIC



NOTE3 Page 24

W/ CBT or HCOP NOTE3 Page 24

WARNING
 THIS WORK AND THE INFORMATION IT CONTAINS ARE THE PROPERTY OF OTIS ELEVATOR COMPANY (OTIS). IT IS RELEASED TO OTHERS ON THE EXPRESS CONDITION THAT IT WILL BE USED ONLY FOR THE ORIGINAL USE OF OTIS, THAT NEITHER IT NOR THE INFORMATION CONTAINED THEREIN WILL BE REPRODUCED OR DISCLOSED IN WHOLE OR IN PART, WITHOUT THE PRIOR WRITTEN CONSENT OF OTIS, AND THAT ON RETURNED TO OTIS.
 UNPUBLISHED WORK © 1998 ELEVATOR COMPANY ALL RIGHTS RESERVED.

DWG DAA21290CW
 OTIS ENGINEERING CHINA

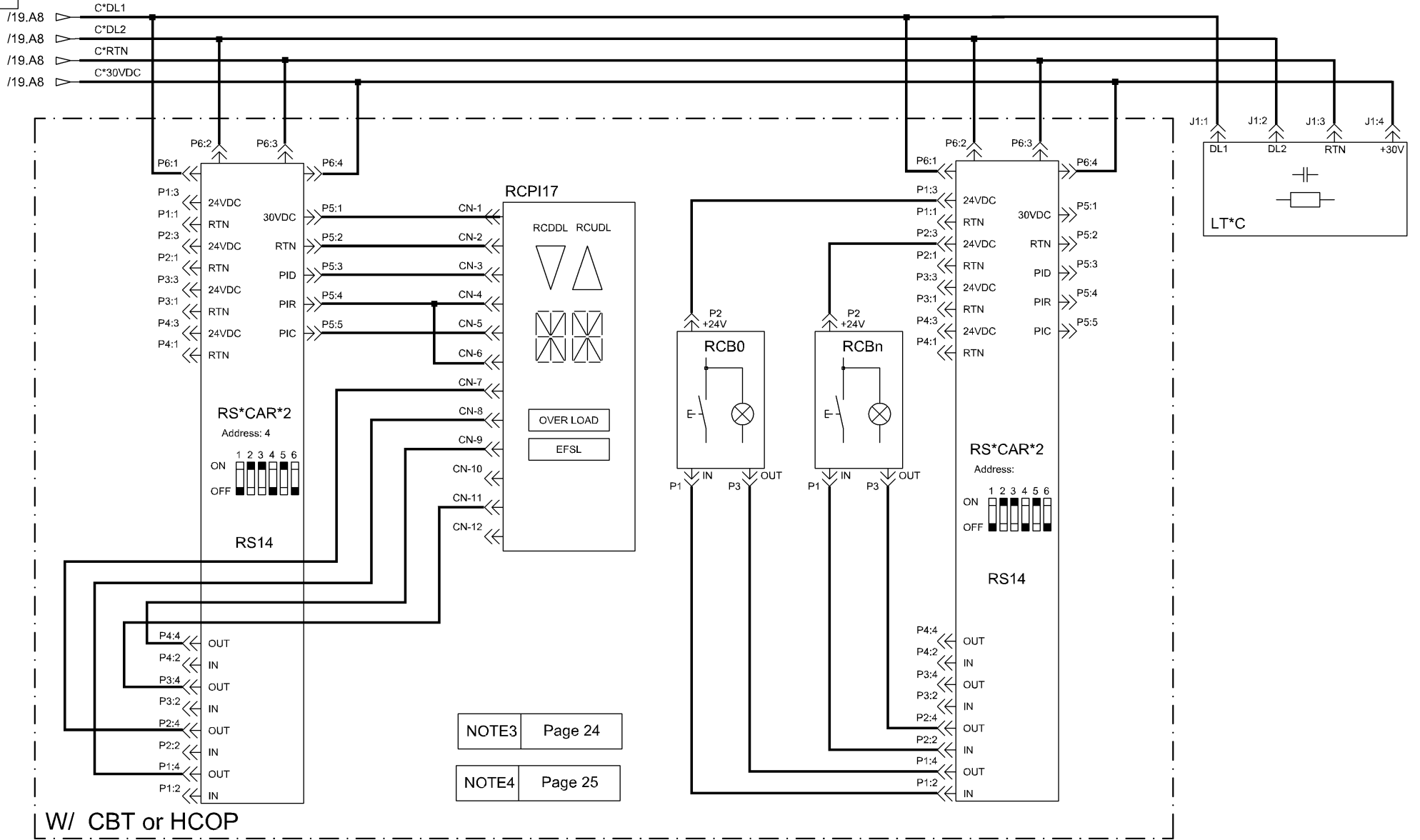
SYSTEM WIRING DIAGRAM
 FOR AC2 MR CONTROLLER

DRAWN	Liu Hui	ORIGINAL DATE	2009-01-12
CHK	Zhang Haijun	SHEETS	
APPD	Wang Yajun	SHEET	19
AUTH	CA79A-002568		



CHANGES

A3



NOTE3 Page 24

NOTE4 Page 25

WARNING
 THIS WORK AND THE INFORMATION IT CONTAINS ARE THE PROPERTY OF OTIS ELEVATOR COMPANY (OTIS). IT IS RELEASED TO YOU FOR THE EXPRESS CONDITION THAT IT WILL BE USED ONLY FOR THE ORIGINAL USE OF OTIS, THAT NEITHER IT NOR ANY INFORMATION CONTAINED HEREIN WILL BE REPRODUCED OR DISCLOSED IN WHOLE OR IN PART, WITHOUT THE PRIOR WRITTEN CONSENT OF OTIS, AND THAT ON RETURNED TO OTIS.
 UNPUBLISHED WORK © 2009 ELEVATOR COMPANY ALL RIGHTS RESERVED.

DWG DAA21290CW

OTIS ENGINEERING CHINA

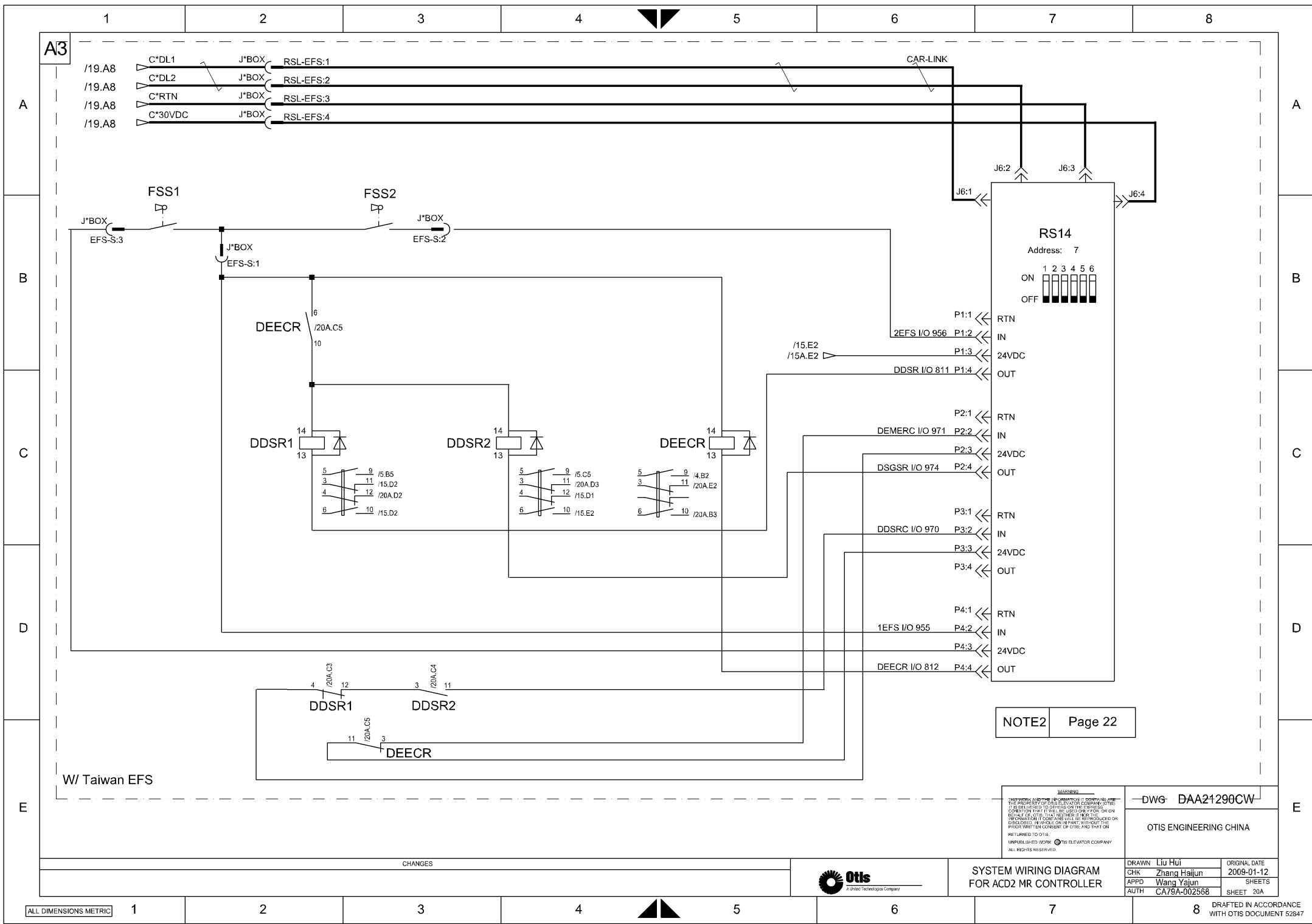
SYSTEM WIRING DIAGRAM FOR AC2 MR CONTROLLER

DRAWN	Liu Hui	ORIGINAL DATE	2009-01-12
CHK	Zhang Haijun	SHEETS	
APPD	Wang Yajun	SHEET	20
AUTH	CA79A-002568		

DRAFTED IN ACCORDANCE WITH OTIS DOCUMENT 5247

CHANGES





NOTE2 Page 22

WARNING
 THE WORKS AND THE INFORMATION IT CONTAINS ARE THE PROPERTY OF OTIS ELEVATOR COMPANY. IT IS RELEASED TO OTHERS ON THE EXPRESS CONDITION THAT IT WILL BE USED ONLY FOR THE ORIGINAL USE OF OTIS, THAT NEITHER IT NOR THE INFORMATION IT CONTAINS WILL BE REPRODUCED OR TRANSMITTED IN ANY FORM OR BY ANY MEANS, WITHOUT THE PRIOR WRITTEN CONSENT OF OTIS, AND THAT ON RETURNING TO OTIS, UNPUBLISHED WORK © 1998 ELEVATOR COMPANY ALL RIGHTS RESERVED.

DWG- DAA21290CW

OTIS ENGINEERING CHINA

SYSTEM WIRING DIAGRAM FOR AC2 MR CONTROLLER

DRAWN	Liu Hui	ORIGINAL DATE	2009-01-12
CHK	Zhang Haijun	SHEETS	
APPD	Wang Yajun	SHEET	20A
AUTH	CA78A-002568		



DRAFTED IN ACCORDANCE WITH OTIS DOCUMENT 52647

ALL DIMENSIONS METRIC

A3

A

B

C

D

E

A

B

C

D

E

Standard I/O List										Standard I/O List									
Software Version :										Software Version :									
INPUT					Location : In COP					OUTPUT					Location : In COP				
Symbol	Description	Addr.	DAA26800J Pin	RS14 Pin	I/O	Orig.	Revision		Page :	Symbol	Description	Addr.	DAA26800J Pin	DAA25250A Pin	I/O	Orig.	Revision		Page :
							1 No.	2 No.									1 No.	2 No.	
CB0	Car Button 0	8-1	P1:2		32					CTTL0	Tell Tale Light 0	8-1	P1:4		32				
CB8	Car Button 8	8-2	P9:2		40					CTTL8	Tell Tale Light 8	8-2	P9:4		40				
DOB	Door Open Button	8-3	P17:2		1							8-3	P17:4						
DCB	Door Close Button	8-4	P18:2		3							8-4	P18:4						
CB1	Car Button 1	9-1	P2:2		33					CTTL1	Tell Tale Light 1	9-1	P2:4		33				
CB9	Car Button 9	9-2	P10:2		41					CTTL9	Tell Tale Light 9	9-2	P10:4		41				
ISS	Independent Service Switch	9-3	P22:4		4					EFSL	Emergency Fire Service Light	9-3	P21:11		999				
ATTU	Attendant Up Start Button	9-4	P22:6		590					ST1	ST1 For Front DCSS5	9-4	P25:5		991				
CB2	Car Button 2	10-1	P3:2		34					CTTL2	Tell Tale Light 2	10-1	P3:4		34				
CB10	Car Button 10	10-2	P11:2		42					CTTL10	Tell Tale Light 10	10-2	P11:4		42				
TCI	Top Of Car Inspection	10-3	P23:4		691					CUDL	Car Up Direction Light	10-3	P21:8		20				
ATTD	Attendant Down Start Button	10-4	P22:7		591					ST2	ST2 For Front DCSS5	10-4	P25:6		992				
CB3	Car Button 3	11-1	P4:2		35					CTTL3	Tell Tale Light 3	11-1	P4:4		35				
CB11	Car Button 11	11-2	P12:2		43					CTTL11	Tell Tale Light 11	11-2	P12:4		43				
ATK	Attendant Key Switch	11-3	P22:5		548					CDDL	Car Down Directio Light	11-3	P21:7		21				
NSB	Non Stop Button	11-4	P22:8		594					ST3	ST3 For Front DCSS5	11-4	P25:7		993				
CB4	Car Button 4	12-1	P5:2		36					CTTL4	Tell Tale Light 4	12-1	P5:4		36				
CB12	Car Button 12	12-2	P13:2		44					CTTL12	Tell Tale Light 12	12-2	P13:4		44				
										OLS	Over Load Signal	12-3	P21:9		22				
DOL	Door Open Limit	12-4	P25:8		0					CDGU	Car Direction Gong Up	12-4	P24:5		580				
CB5	Car Button 5	13-1	P6:2		37					CTTL5	Tell Tale Light 5	13-1	P6:4		37				
CB13	Car Button 13	13-2	P14:2		45					CTTL13	Tell Tale Light 13	13-2	P14:4		45				
LWO(>110%)	Over Load Weighing Contact	13-3	P23:6		5					BUZ	Buzzer	13-3	P24:4		23				
DOS	Door Open Signal	13-4	P25:9		605					CDGD	Car Direction Gong Down	13-4	P24:6		581				
CB6	Car Button 6	14-1	P7:2		38					CTTL6	Tell Tale Light 6	14-1	P7:4		38				
CB14	Car Button 14	14-2	P15:2		46					CTTL14	Tell Tale Light 14	14-2	P15:4		46				
LNS(>80%)	Load Non Stop	14-3	P23:7		6							14-3	P24:7						
LRD	Light Ray Device	14-4	P25:10		607							14-4	P24:8						
CB7	Car Button 7	15-1	P8:2		39					CTTL7	Tell Tale Light 7	15-1	P8:4		39				
CB15	Car Button 15	15-2	P16:2		47					CTTL15	Tell Tale Light 15	15-2	P16:4		47				
TCIB	Top Of Car Inspection Button	15-3	P23:8		783					LR	Light Relay	15-3	P24:9		26				
DHB	Door Hold Button	15-4	P19:2		620					DHBL	Door Hold Button Light	15-4	P19:4		747				
						↑ Please fill in		↑								↑ Please fill in		↑	

CHANGES



SYSTEM WIRING DIAGRAM FOR AC2D MR CONTROLLER

DWG DAA21290CW		ORIGINAL DATE
OTIS ENGINEERING CHINA		2009-01-12
DRAWN	Liu Hui	SHEETS
CHK	Zhang Haijun	21
APPD	Wang Yajun	
AUTH	CA79A-002568	

WARNING
THIS WORK AND THE INFORMATION IT CONTAINS ARE THE PROPERTY OF OTIS ELEVATOR COMPANY (OTIS). IT IS RELEASED TO YOU ON THE EXPRESS CONDITION THAT IT WILL BE USED ONLY FOR THE BENEFIT OF OTIS, THAT NEITHER IT NOR THE INFORMATION CONTAINED THEREIN WILL BE REPRODUCED OR DISCLOSED IN WHOLE OR IN PART, WITHOUT THE PRIOR WRITTEN CONSENT OF OTIS; AND THAT ON RETURN TO OTIS, UNPUBLISHED WORK © OTIS ELEVATOR COMPANY ALL RIGHTS RESERVED.

A3

A

B

C

D

E

A

B

C

D

E

Standard I/O List										NOTE3	Standard I/O List										
Software Version :											Page :	Software Version :									
INPUT					Location : In COP							OUTPUT					Location : In COP				
Symbol	Description	Addr.	DAA26800J Pin	RS14 Pin	I/O	Orig.	Revision 1 No. 2 No.			Symbol	Description	Addr.	DAA26800J Pin	RS14 Pin	I/O	Orig.	Revision 1 No. 2 No.				
CB16	Car Button 16	16-1		P1:2	48					CTTL16	Tell Tale Light 16	16-1		P1:4	48						
CB17	Car Button 17	16-2		P2:2	49					CTTL17	Tell Tale Light 17	16-2		P2:4	49						
CB18	Car Button 18	16-3		P3:2	50					CTTL18	Tell Tale Light 18	16-3		P3:4	50						
CB19	Car Button 19	16-4		P4:2	51					CTTL19	Tell Tale Light 19	16-4		P4:4	51						
CB20	Car Button 20	17-1		P1:2	52					CTTL20	Tell Tale Light 20	17-1		P1:4	52						
CB21	Car Button 21	17-2		P2:2	53					CTTL21	Tell Tale Light 21	17-2		P2:4	53						
CB22	Car Button 22	17-3		P3:2	54					CTTL22	Tell Tale Light 22	17-3		P3:4	54						
CB23	Car Button 23	17-4		P4:2	55					CTTL23	Tell Tale Light 23	17-4		P4:4	55						
CB24	Car Button 24	18-1		P1:2	56					CTTL24	Tell Tale Light 24	18-1		P1:4	56						
CB25	Car Button 25	18-2		P2:2	57					CTTL25	Tell Tale Light 25	18-2		P2:4	57						
CB26	Car Button 26	18-3		P3:2	58					CTTL26	Tell Tale Light 26	18-3		P3:4	58						
CB27	Car Button 27	18-4		P4:2	59					CTTL27	Tell Tale Light 27	18-4		P4:4	59						
CB28	Car Button 28	19-1		P1:2	60					CTTL28	Tell Tale Light 28	19-1		P1:4	60						
CB29	Car Button 29	19-2		P2:2	61					CTTL29	Tell Tale Light 29	19-2		P2:4	61						
CB30	Car Button 30	19-3		P3:2	62					CTTL30	Tell Tale Light 30	19-3		P3:4	62						
CB31	Car Button 31	19-4		P4:2	63					CTTL31	Tell Tale Light 31	19-4		P4:4	63						
RDOB	Rear Door Open Button	20-1		P1:2	545							20-1		P1:4							
RDCB	Rear Door Close Button	20-2		P2:2	547							20-2		P2:4							
		20-3		P3:2								20-3		P3:4							
RDHB	Rear Door Hold Button	20-4		P4:2	628					RDHBL	Rear Door Hold Button Light	20-4		P4:4	748						
RCB0	Rear Car Button 0	21-1		P1:2	288					RCTTL0	Rear Tell Tale Light 0	21-1		P1:4	288						
RCB1	Rear Car Button 1	21-2		P2:2	289					RCTTL1	Rear Tell Tale Light 1	21-2		P2:4	289						
RCB2	Rear Car Button 2	21-3		P3:2	290					RCTTL2	Rear Tell Tale Light 2	21-3		P3:4	290						
RCB3	Rear Car Button 3	21-4		P4:2	291					RCTTL3	Rear Tell Tale Light 3	21-4		P4:4	291						
RCB4	Rear Car Button 4	22-1		P1:2	292					RCTTL4	Rear Tell Tale Light 4	22-1		P1:4	292						
RCB5	Rear Car Button 5	22-2		P2:2	293					RCTTL5	Rear Tell Tale Light 5	22-2		P2:4	293						
RCB6	Rear Car Button 6	22-3		P3:2	294					RCTTL6	Rear Tell Tale Light 6	22-3		P3:4	294						
RCB7	Rear Car Button 7	22-4		P4:2	295					RCTTL7	Rear Tell Tale Light 7	22-4		P4:4	295						
RCB8	Rear Car Button 8	23-1		P1:2	296					RCTTL8	Rear Tell Tale Light 8	23-1		P1:4	296						
RCB9	Rear Car Button 9	23-2		P2:2	297					RCTTL9	Rear Tell Tale Light 9	23-2		P2:4	297						
RCB10	Rear Car Button 10	23-3		P3:2	298					RCTTL10	Rear Tell Tale Light 10	23-3		P3:4	298						
RCB11	Rear Car Button 11	23-4		P4:2	299					RCTTL11	Rear Tell Tale Light 11	23-4		P4:4	299						

Standard I/O List										NOTE3	Standard I/O List										
Software Version :											Page :	Software Version :									
INPUT					Location : In COP							OUTPUT					Location : In COP				
Symbol	Description	Addr.	DAA26800J Pin	RS14 Pin	I/O	Orig.	Revision 1 No. 2 No.			Symbol	Description	Addr.	DAA26800J Pin	RS14 Pin	I/O	Orig.	Revision 1 No. 2 No.				
CTTL16	Tell Tale Light 16	16-1		P1:4	48					CTTL16	Tell Tale Light 16	16-1		P1:4	48						
CTTL17	Tell Tale Light 17	16-2		P2:4	49					CTTL17	Tell Tale Light 17	16-2		P2:4	49						
CTTL18	Tell Tale Light 18	16-3		P3:4	50					CTTL18	Tell Tale Light 18	16-3		P3:4	50						
CTTL19	Tell Tale Light 19	16-4		P4:4	51					CTTL19	Tell Tale Light 19	16-4		P4:4	51						
CTTL20	Tell Tale Light 20	17-1		P1:4	52					CTTL20	Tell Tale Light 20	17-1		P1:4	52						
CTTL21	Tell Tale Light 21	17-2		P2:4	53					CTTL21	Tell Tale Light 21	17-2		P2:4	53						
CTTL22	Tell Tale Light 22	17-3		P3:4	54					CTTL22	Tell Tale Light 22	17-3		P3:4	54						
CTTL23	Tell Tale Light 23	17-4		P4:4	55					CTTL23	Tell Tale Light 23	17-4		P4:4	55						
CTTL24	Tell Tale Light 24	18-1		P1:4	56					CTTL24	Tell Tale Light 24	18-1		P1:4	56						
CTTL25	Tell Tale Light 25	18-2		P2:4	57					CTTL25	Tell Tale Light 25	18-2		P2:4	57						
CTTL26	Tell Tale Light 26	18-3		P3:4	58					CTTL26	Tell Tale Light 26	18-3		P3:4	58						
CTTL27	Tell Tale Light 27	18-4		P4:4	59					CTTL27	Tell Tale Light 27	18-4		P4:4	59						
CTTL28	Tell Tale Light 28	19-1		P1:4	60					CTTL28	Tell Tale Light 28	19-1		P1:4	60						
CTTL29	Tell Tale Light 29	19-2		P2:4	61					CTTL29	Tell Tale Light 29	19-2		P2:4	61						
CTTL30	Tell Tale Light 30	19-3		P3:4	62					CTTL30	Tell Tale Light 30	19-3		P3:4	62						
CTTL31	Tell Tale Light 31	19-4		P4:4	63					CTTL31	Tell Tale Light 31	19-4		P4:4	63						
		20-1		P1:4								20-1		P1:4							
		20-2		P2:4								20-2		P2:4							
		20-3		P3:4								20-3		P3:4							
RDHBL	Rear Door Hold Button Light	20-4		P4:4	748					RDHBL	Rear Door Hold Button Light	20-4		P4:4	748						
RCTTL0	Rear Tell Tale Light 0	21-1		P1:4	288					RCTTL0	Rear Tell Tale Light 0	21-1		P1:4	288						
RCTTL1	Rear Tell Tale Light 1	21-2		P2:4	289					RCTTL1	Rear Tell Tale Light 1	21-2		P2:4	289						
RCTTL2	Rear Tell Tale Light 2	21-3		P3:4	290					RCTTL2	Rear Tell Tale Light 2	21-3		P3:4	290						
RCTTL3	Rear Tell Tale Light 3	21-4		P4:4	291					RCTTL3	Rear Tell Tale Light 3	21-4		P4:4	291						
RCTTL4	Rear Tell Tale Light 4	22-1		P1:4	292					RCTTL4	Rear Tell Tale Light 4	22-1		P1:4	292						
RCTTL5	Rear Tell Tale Light 5	22-2		P2:4	293					RCTTL5	Rear Tell Tale Light 5	22-2		P2:4	293						
RCTTL6	Rear Tell Tale Light 6	22-3		P3:4	294					RCTTL6	Rear Tell Tale Light 6	22-3		P3:4	294						
RCTTL7	Rear Tell Tale Light 7	22-4		P4:4	295					RCTTL7	Rear Tell Tale Light 7	22-4		P4:4	295						
RCTTL8	Rear Tell Tale Light 8	23-1		P1:4	296					RCTTL8	Rear Tell Tale Light 8	23-1		P1:4	296						
RCTTL9	Rear Tell Tale Light 9	23-2		P2:4	297					RCTTL9	Rear Tell Tale Light 9	23-2		P2:4	297						
RCTTL10	Rear Tell Tale Light 10	23-3		P3:4	298					RCTTL10	Rear Tell Tale Light 10	23-3		P3:4	298						
RCTTL11	Rear Tell Tale Light 11	23-4		P4:4	299					RCTTL11	Rear Tell Tale Light 11	23-4		P4:4	299						

↑ Please fill in ↑

↑ Please fill in ↑

WARNING
THIS WORK AND THE INFORMATION IT CONTAINS ARE THE PROPERTY OF OTIS ELEVATOR COMPANY. IT IS RELEASED TO OTHERS ON THE EXPRESS CONDITION THAT IT WILL BE USED ONLY FOR THE ORIGINAL USE OF OTIS, THAT NEITHER IT NOR THE INFORMATION CONTAINED HEREIN WILL BE REPRODUCED OR TRANSMITTED IN ANY FORM OR BY ANY MEANS, WITHOUT THE PRIOR WRITTEN CONSENT OF OTIS, AND THAT ON RETURN TO OTIS, UNPUBLISHED WORK © 1998 ELEVATOR COMPANY ALL RIGHTS RESERVED.

DWG DAA21290CW
OTIS ENGINEERING CHINA

CHANGES									



SYSTEM WIRING DIAGRAM FOR AC2 MR CONTROLLER

DRAWN	Liu Hui	ORIGINAL DATE	2009-01-12
CHK	Zhang Haijun	SHEETS	
APPD	Wang Yajun	SHEET	23
AUTH	CA79A-002568		

A3

A

B

C

D

E

A

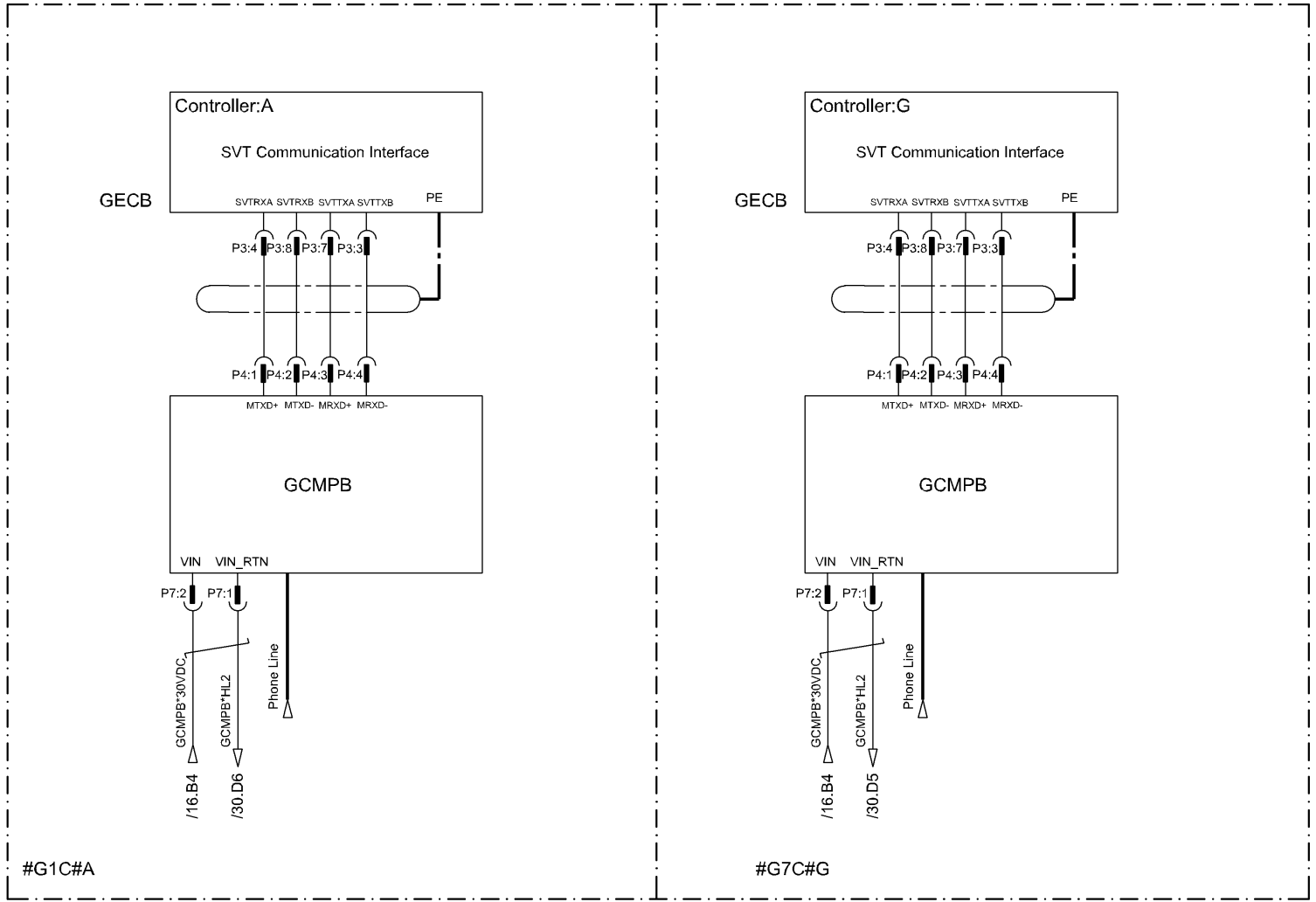
B

C

D

E

#G1C#A
 #G2C#AB
 #G3C#ABC
 #G4C#AB,CD
 #G5C#ABC,DE
 #G6C#ABC,DEF
 #G7C#ABC,DEF,G
 #G8C#ABC,DEF,GH



#G1C#A

#G7C#G

WARNING
 THIS WORK AND THE INFORMATION IT CONTAINS ARE THE PROPERTY OF OTIS ELEVATOR COMPANY (OTIS). IT IS RELEASED TO YOU HEREON ON THE EXPRESS CONDITION THAT IT WILL BE USED ONLY FOR THE ORIGINAL USE OF OTIS, THAT NEITHER IT NOR THE INFORMATION CONTAINED HEREIN BE REPRODUCED OR DISCLOSED IN ANY MANNER WITHOUT THE PRIOR WRITTEN CONSENT OF OTIS, AND THAT ON RETURNING TO OTIS, UNPUBLISHED WORK © 2009 ELEVATOR COMPANY ALL RIGHTS RESERVED.

DWG DAA21290CW

OTIS ENGINEERING CHINA

CHANGES							

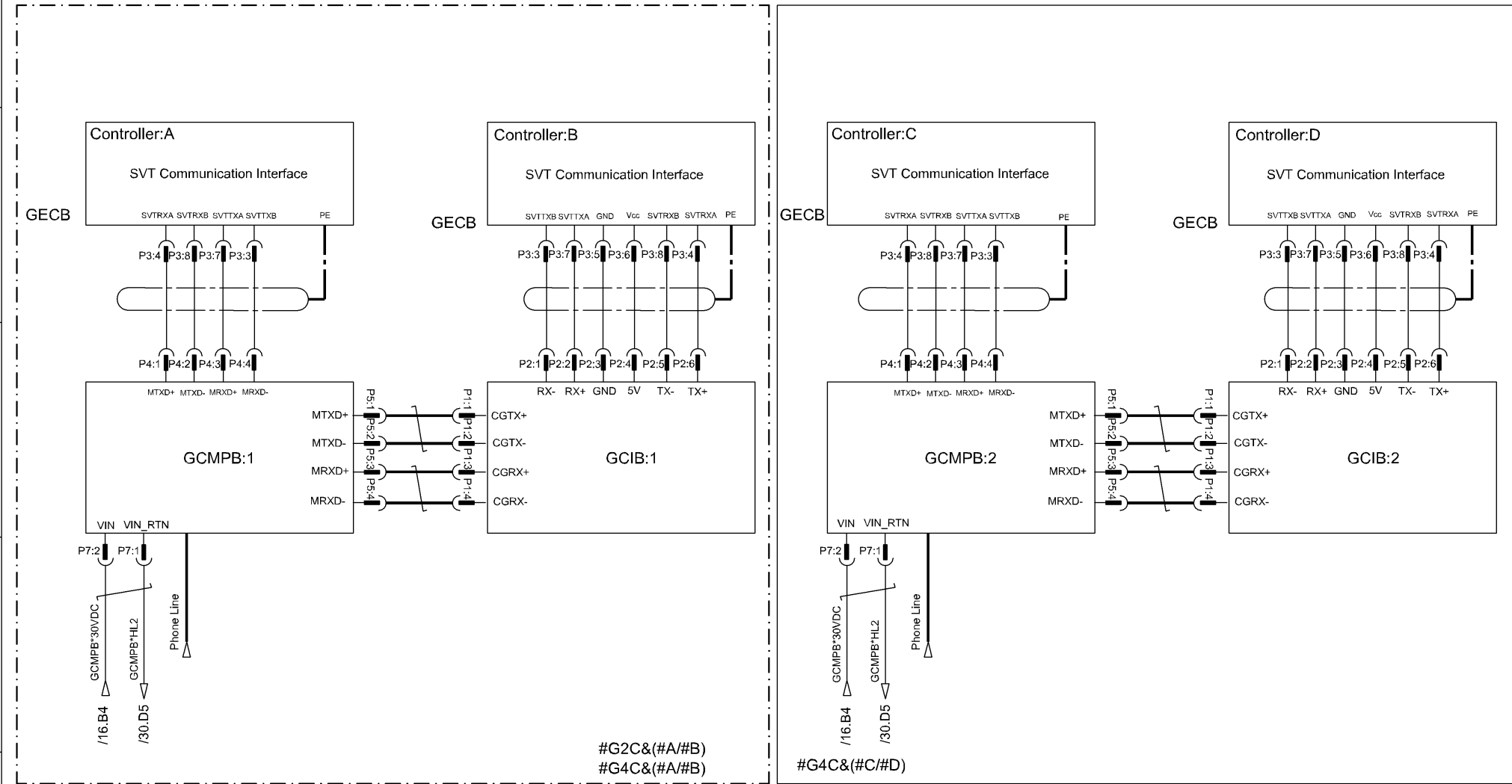


SYSTEM WIRING DIAGRAM
 FOR AC2 MR CONTROLLER

DRAWN	Liu Hui	ORIGINAL DATE	2009-01-12
CHK	Zhang Haijun	SHEETS	
APPD	Wang Yajun	SHEET	25
AUTH	CA78A-002568		

DRAFTED IN ACCORDANCE WITH OTIS DOCUMENT 52647

A3



#G2C&(#A#B)
#G4C&(#A#B)

#G4C&(#C#D)

WARNING
THIS WORK AND THE INFORMATION IT CONTAINS ARE THE PROPERTY OF OTIS ELEVATOR COMPANY (OTIS). IT IS RELEASED TO OTHERS ON THE EXPRESS CONDITION THAT IT WILL BE USED ONLY FOR THE ORIGINAL USE OF OTIS, THAT NEITHER IT NOR THE INFORMATION CONTAINED HEREIN WILL BE REPRODUCED OR DISCLOSED IN ANY MANNER WITHOUT THE PRIOR WRITTEN CONSENT OF OTIS, AND THAT ON RETURN TO OTIS, UNPUBLISHED WORK © 1918 ELEVATOR COMPANY ALL RIGHTS RESERVED.

DWG DAA21290CW
OTIS ENGINEERING CHINA

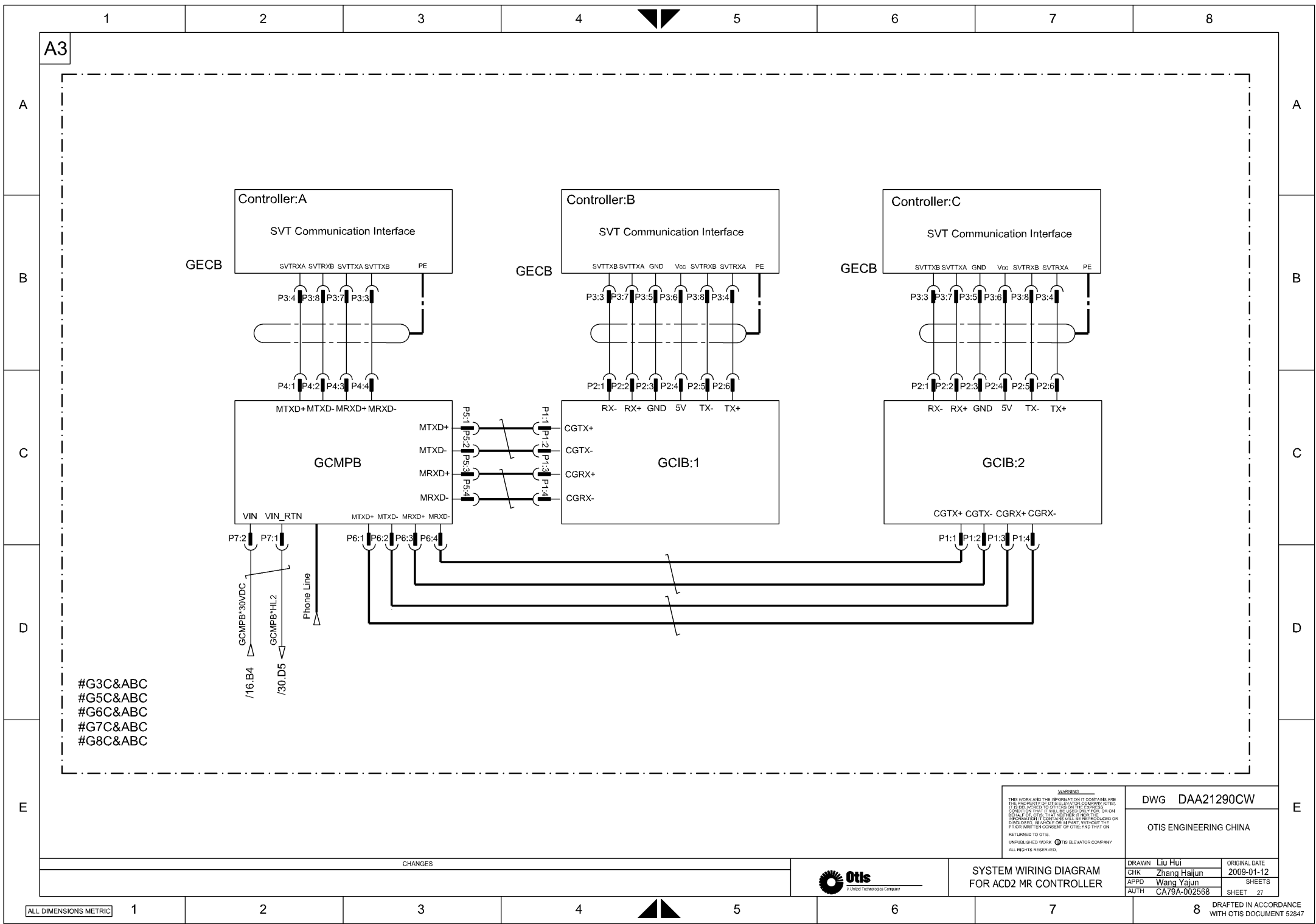
CHANGES



SYSTEM WIRING DIAGRAM
FOR AC2D MR CONTROLLER

DRAWN	Liu Hui	ORIGINAL DATE	2009-01-12
CHK	Zhang Haijun	SHEETS	
APPD	Wang Yajun	SHEET	26
AUTH	CA78A-002568		

DRAFTED IN ACCORDANCE WITH OTIS DOCUMENT 52647



#G3C&ABC
 #G5C&ABC
 #G6C&ABC
 #G7C&ABC
 #G8C&ABC

P7:2
 P7:1
 /16.B4
 /30.D5
 GCMPB*30VDC
 GCMPB*HL2
 Phone Line

<small>WARNING</small> THIS WORK AND THE INFORMATION IT CONTAINS ARE THE PROPERTY OF OTIS ELEVATOR COMPANY. OTIS IT IS RELEASED TO OTHERS ON THE EXPRESS CONDITION THAT IT WILL BE USED ONLY FOR THE ORIGINAL USE OF OTIS. THAT NEITHER IT NOR THE INFORMATION CONTAINED HEREIN BE REPRODUCED OR DISCLOSED IN ANY MANNER WITHOUT THE PRIOR WRITTEN CONSENT OF OTIS; AND THAT ON RETURNED TO OTIS. <small>UNPUBLISHED WORK © OTIS ELEVATOR COMPANY ALL RIGHTS RESERVED.</small>		DWG DAA21290CW OTIS ENGINEERING CHINA
--	--	--

CHANGES							
---------	--	--	--	--	--	--	--



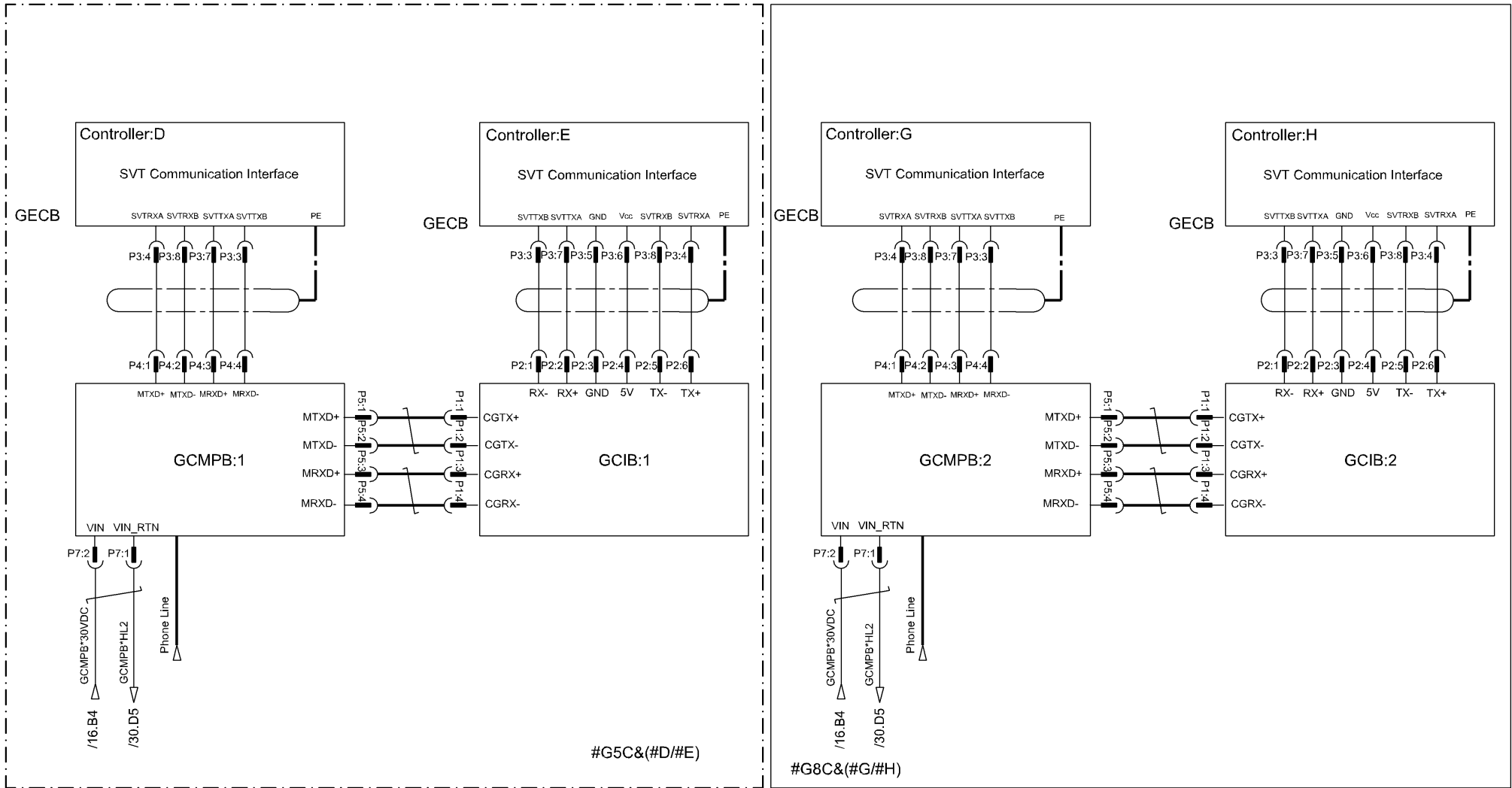
SYSTEM WIRING DIAGRAM
 FOR AC2 MR CONTROLLER

DRAWN	Liu Hui	ORIGINAL DATE	2009-01-12
CHK	Zhang Haijun	SHEETS	
APPD	Wang Yajun	SHEET	27
AUTH	CA78A-002568		

DRAFTED IN ACCORDANCE WITH OTIS DOCUMENT 52847

ALL DIMENSIONS METRIC

A3



WARNING
 THIS WORK AND THE INFORMATION IT CONTAINS ARE THE PROPERTY OF OTIS ELEVATOR COMPANY. OTIS IT IS RELEASED TO OTHERS ON THE EXPRESS CONDITION THAT IT WILL BE USED ONLY FOR THE ORIGINAL PURPOSE AND THAT NEITHER IT NOR THE INFORMATION CONTAINED THEREIN WILL BE REPRODUCED OR DISCLOSED IN ANY MANNER WITHOUT THE PRIOR WRITTEN CONSENT OF OTIS, AND THAT ON RETURNED TO OTIS.
 UNPUBLISHED WORK © 2009 ELEVATOR COMPANY ALL RIGHTS RESERVED.

DWG DAA21290CW

OTIS ENGINEERING CHINA

CHANGES

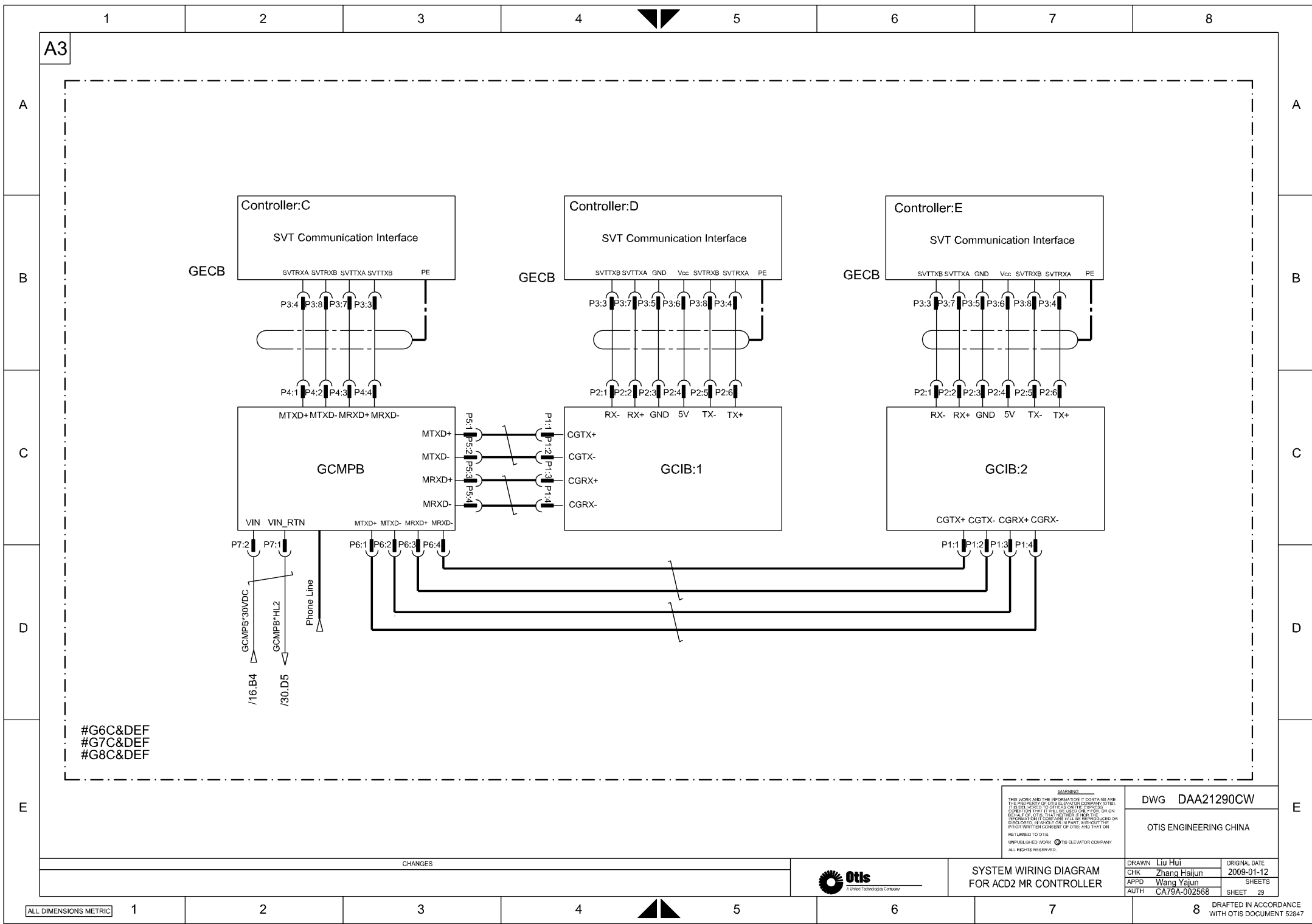


SYSTEM WIRING DIAGRAM
 FOR AC2 MR CONTROLLER

DRAWN	Liu Hui	ORIGINAL DATE	2009-01-12
CHK	Zhang Haijun	SHEETS	
APPD	Wang Yajun	SHEET	28
AUTH	CA78A-002568		

DRAFTED IN ACCORDANCE WITH OTIS DOCUMENT 52647

ALL DIMENSIONS METRIC



#G6C&DEF
 #G7C&DEF
 #G8C&DEF

WARNING
 THIS WORK AND THE INFORMATION IT CONTAINS ARE THE PROPERTY OF OTIS ELEVATOR COMPANY. OTIS IT IS RELINQUISHED TO OTHERS ON THE EXPRESS CONDITION THAT IT WILL BE USED ONLY FOR THE ORIGINAL USE OF OTIS. THAT NEITHER IT NOR DISCOVERED OR MODIFIED OR REPRODUCED OR DISCLOSED IN WHOLE OR IN PART, WITHOUT THE PRIOR WRITTEN CONSENT OF OTIS; AND THAT ON RETURNED TO OTIS.
 UNPUBLISHED WORK © OTIS ELEVATOR COMPANY ALL RIGHTS RESERVED.

DWG DAA21290CW
 OTIS ENGINEERING CHINA

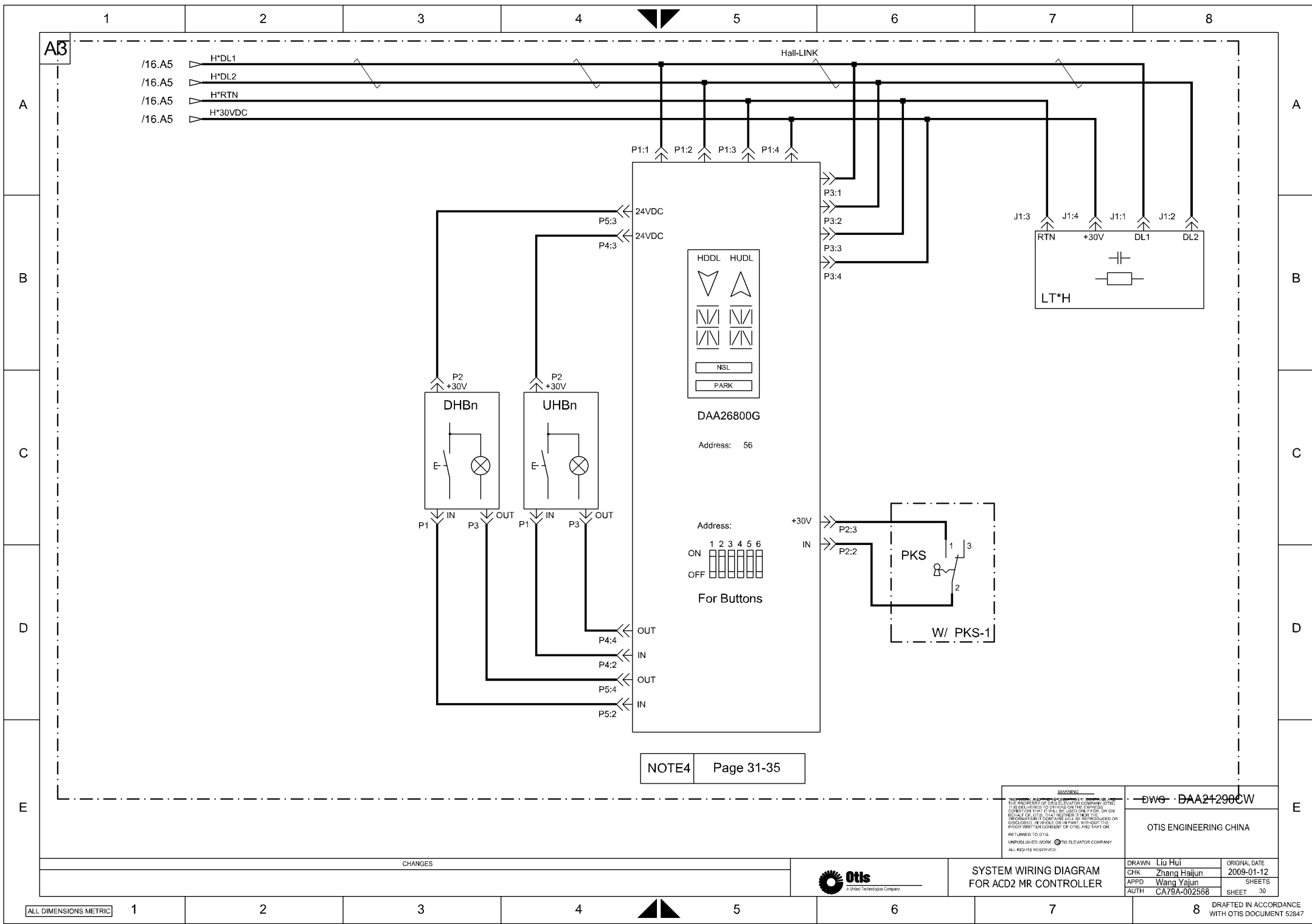
CHANGES							



SYSTEM WIRING DIAGRAM
 FOR AC2 MR CONTROLLER

DRAWN	Liu Hui	ORIGINAL DATE	2009-01-12
CHK	Zhang Haijun	SHEETS	
APPD	Wang Yajun	SHEET	29
AUTH	CA78A-002568		

DRAFTED IN ACCORDANCE WITH OTIS DOCUMENT 52847



NOTE4 Page 31-35

WARNING
 THE WORKS AND SERVICES OF OTIS ENGINEERING CHINA ARE THE PROPERTY OF OTIS ELEVATOR COMPANY (OTIS). IT IS RELEASED TO OTHERS ON THE EXPRESS CONDITION THAT IT WILL BE USED ONLY FOR THE ORIGINAL USE OF OTIS. THAT NEITHER OTIS NOR OTIS ENGINEERING CHINA SHALL BE RESPONSIBLE OR INCURRED IN LIABILITY WITHOUT THE PRIOR WRITTEN CONSENT OF OTIS; AND THAT ON RETURNED TO OTIS.
 UNPUBLISHED WORK © OTIS ELEVATOR COMPANY ALL RIGHTS RESERVED.

DWG: DAA21290CW

OTIS ENGINEERING CHINA

DRAWN	Liu Hui	ORIGINAL DATE	2009-01-12
CHK	Zhang Haijun	SHEETS	
APPD	Wang Yajun	SHEET	30
AUTH	CA78A-002568		

SYSTEM WIRING DIAGRAM FOR AC2 MR CONTROLLER



CHANGES

A3

Standard I/O List

Software Version :

NOTE4

Standard I/O List

Software Version :

NOTE4

INPUT		Location :		Hall		Revision		Page :
Symbol	Description	Addr.	Remarks :	DCL	FCL	1 No.	2 No.	
		30-1						
HB 0	Hall Button 0	30-2		P5:2		96		
UHB 1	Up Hall Button 1	31-1		P4:2		65		
HB 1	Hall Button 1	31-2		P5:2		97		
		31-3						
		31-4						
UHB 2	Up Hall Button 2	32-1		P4:2		66		
HB 2	Hall Button 2	32-2		P5:2		98		
		32-3						
		32-4						
UHB 3	Up Hall Button 3	33-1		P4:2		67		
HB 3	Hall Button 3	33-2		P5:2		99		
		33-3						
		33-4						
UHB 4	Up Hall Button 4	34-1		P4:2		68		
HB 4	Hall Button 4	34-2		P5:2		100		
		34-3						
		34-4						
UHB 5	Up Hall Button 5	35-1		P4:2		69		
HB 5	Hall Button 5	35-2		P5:2		101		
		35-3						
		35-4						
UHB 6	Up Hall Button 6	36-1		P4:2		70		
HB 6	Hall Button 6	36-2		P5:2		102		
		36-3						
		36-4						

↑ Please fill in ↑

OUTPUT		Location :		Hall		Revision		Page :
Symbol	Description	Addr.	Remarks :	DCL	FCL	1 No.	2 No.	
HB TTL 0	HB Tell Tale Light 0	30-2		P5:4		96		
UHDL 0	Up Hall Direction Lantern 0	30-3				814		
UH TTL 1	UHB Tell Tale Light 1	31-1		P4:4		65		
HB TTL 1	HB Tell Tale Light 1	31-2		P5:4		97		
UHDL 1	Up Hall Direction Lantern 1	31-3				815		
DHDL 1	Down Hall Direction Lantern 1	31-4				847		
UH TTL 2	UHB Tell Tale Light 2	32-1		P4:4		66		
HB TTL 2	HB Tell Tale Light 2	32-2		P5:4		98		
UHDL 2	Up Hall Direction Lantern 2	32-3				816		
DHDL 2	Down Hall Direction Lantern 2	32-4				848		
UH TTL 3	UHB Tell Tale Light 3	33-1		P4:4		67		
HB TTL 3	HB Tell Tale Light 3	33-2		P5:4		99		
UHDL 3	Up Hall Direction Lantern 3	33-3				817		
DHDL 3	Down Hall Direction Lantern 3	33-4				849		
UH TTL 4	UHB Tell Tale Light 4	34-1		P4:4		68		
HB TTL 4	HB Tell Tale Light 4	34-2		P5:4		100		
UHDL 4	Up Hall Direction Lantern 4	34-3				818		
DHDL 4	Down Hall Direction Lantern 4	34-4				850		
UH TTL 5	UHB Tell Tale Light 5	35-1		P4:4		69		
HB TTL 5	HB Tell Tale Light 5	35-2		P5:4		101		
UHDL 5	Up Hall Direction Lantern 5	35-3				819		
DHDL 5	Down Hall Direction Lantern 5	35-4				851		
UH TTL 6	UHB Tell Tale Light 6	36-1		P4:4		70		
HB TTL 6	HB Tell Tale Light 6	36-2		P5:4		102		
UHDL 6	Up Hall Direction Lantern 6	36-3				820		
DHDL 6	Down Hall Direction Lantern 6	36-4				852		

↑ Please fill in ↑

A

B

C

D

E

A

B

C

D

E

WARNING
THIS WORK AND THE INFORMATION IT CONTAINS ARE THE PROPERTY OF OTIS ELEVATOR COMPANY. IT IS RELEASED TO OTHERS ON THE EXPRESS CONDITION THAT IT WILL BE USED ONLY FOR THE ORIGINAL USE OF OTIS. THAT NEITHER IT NOR THE INFORMATION IT CONTAINS SHALL BE REPRODUCED OR DISCLOSED IN WHOLE OR IN PART, WITHOUT THE PRIOR WRITTEN CONSENT OF OTIS; AND THAT ON RETURNED TO OTIS.
UNPUBLISHED WORK © OTIS ELEVATOR COMPANY
ALL RIGHTS RESERVED.

DWG DAA21290CW
OTIS ENGINEERING CHINA

CHANGES							



SYSTEM WIRING DIAGRAM
FOR AC2 MR CONTROLLER

DRAWN	Liu Hui	ORIGINAL DATE	2009-01-12
CHK	Zhang Haijun	SHEETS	31
APPD	Wang Yajun	SHEET	31
AUTH	CA78A-002568		

A3

A

A

NOTE4									NOTE4										
Standard I/O List Software Version :									Standard I/O List Software Version :										
INPUT				Location : Remarks :		Hall DCL/FCL			Page :	OUTPUT				Location : Remarks :		Hall DCL/FCL			Page :
Symbol	Description	Addr.	DAA26800G Pin	I/O	Orig.	Revision 1 No. 2 No.		Symbol		Description	Addr.	DAA26800G Pin	I/O	Orig.	Revision 1 No. 2 No.				
UHB 7	Up Hall Button 7	37-1	P4:2	71				UHTTL 7	UHB Tell Tale Light 7	37-1	P4:4	71							
HB 7	Hall Button 7	37-2	P5:2	103				HBTTL 7	HB Tell Tale Light 7	37-2	P5:4	103							
		37-3						UHDL 7	Up Hall Direction Lantern 7	37-3		821							
		37-4						DHDL 7	Down Hall Direction Lantern 7	37-4		853							
UHB 8	Up Hall Button 8	38-1	P4:2	72				UHTTL 8	UHB Tell Tale Light 8	38-1	P4:4	72							
HB 8	Hall Button 8	38-2	P5:2	104				HBTTL 8	HB Tell Tale Light 8	38-2	P5:4	104							
		38-3						UHDL 8	Up Hall Direction Lantern 8	38-3		822							
		38-4						DHDL 8	Down Hall Direction Lantern 8	38-4		854							
UHB 9	Up Hall Button 9	39-1	P4:2	73				UHTTL 9	UHB Tell Tale Light 9	39-1	P4:4	73							
HB 9	HALL BUTTON 9	39-2	P5:2	105				HBTTL 9	HB Tell Tale Light 9	39-2	P5:4	105							
		39-3						UHDL 9	Up Hall Direction Lantern 9	39-3		823							
		39-4						DHDL 9	Down Hall Direction Lantern 9	39-4		855							
UHB 10	Up Hall Button 10	40-1	P4:2	74				UHTTL 10	UHB Tell Tale Light 10	40-1	P4:4	74							
HB 10	HALL BUTTON 10	40-2	P5:2	106				HBTTL 10	HB Tell Tale Light 10	40-2	P5:4	106							
		40-3						UHDL 10	Up Hall Direction Lantern 10	40-3		824							
		40-4						DHDL 10	Down Hall Direction Lantern 10	40-4		856							
UHB 11	Up Hall Button 11	41-1	P4:2	75				UHTTL 11	UHB Tell Tale Light 11	41-1	P4:4	75							
HB 11	HALL BUTTON 11	41-2	P5:2	107				HBTTL 11	HB Tell Tale Light 11	41-2	P5:4	107							
		41-3						UHDL 11	Up Hall Direction Lantern 11	41-3		825							
		41-4						DHDL 11	Down Hall Direction Lantern 11	41-4		857							
UHB 12	Up Hall Button 12	42-1	P4:2	76				UHTTL 12	UHB Tell Tale Light 12	42-1	P4:4	76							
HB 12	HALL BUTTON 12	42-2	P5:2	108				HBTTL 12	HB Tell Tale Light 12	42-2	P5:4	108							
		42-3						UHDL 12	Up Hall Direction Lantern 12	42-3		826							
		42-4						DHDL 12	Down Hall Direction Lantern 12	42-4		858							
UHB 13	Up Hall Button 13	43-1	P4:2	77				UHTTL 13	UHB Tell Tale Light 13	43-1	P4:4	77							
HB 13	HALL BUTTON 13	43-2	P5:2	109				HBTTL 13	HB Tell Tale Light 13	43-2	P5:4	109							
		43-3						UHDL 13	Up Hall Direction Lantern 13	43-3		827							
		43-4						DHDL 13	Down Hall Direction Lantern 13	43-4		859							
↑ Please fill in ↑									↑ Please fill in ↑										

E

E

WARNING

THIS WORK AND THE INFORMATION IT CONTAINS ARE THE PROPERTY OF OTIS ELEVATOR COMPANY. IT IS RELEASED TO OTHERS ON THE EXPRESS CONDITION THAT IT WILL BE USED ONLY FOR THE ORIGINAL PURPOSE AND THAT NEITHER IT NOR THE INFORMATION CONTAINED THEREIN WILL BE REPRODUCED OR DISCLOSED IN WHOLE OR IN PART, WITHOUT THE PRIOR WRITTEN CONSENT OF OTIS, AND THAT ON RETURN TO OTIS, UNPUBLISHED WORK. © 1998 ELEVATOR COMPANY. ALL RIGHTS RESERVED.

DWG DAA21290CW	
OTIS ENGINEERING CHINA	
DRAWN Liu Hui	ORIGINAL DATE 2009-01-12
CHK Zhang Haijun	SHEETS
APPD Wang Yajun	SHEET 32
AUTH CA78A-002568	

CHANGES



SYSTEM WIRING DIAGRAM
FOR AC2 MR CONTROLLER

DRAWN Liu Hui
CHK Zhang Haijun
APPD Wang Yajun
AUTH CA78A-002568

DRAFTED IN ACCORDANCE WITH OTIS DOCUMENT 52647

A3

A

A

Standard I/O List									Standard I/O List								
Software Version :									Software Version :								
NOTE4									NOTE4								
INPUT					Location : Hall DCL/FCL				OUTPUT					Location : Hall DCL/FCL			
Symbol	Description	Addr.	DAA26800G Pin	I/O	Orig.	Revision		Page :	Symbol	Description	Addr.	DAA26800G Pin	I/O	Orig.	Revision		Page :
						1 No.	2 No.								1 No.	2 No.	
UHB 14	Up Hall Button 14	44-1	P4:2	78					UHTTL 14	UHB Tell Tale Light 14	44-1	P4:4	78				
HB 14	Hall Button 14	44-2	P5:2	110					HB TTL 14	HB Tell Tale Light 14	44-2	P5:4	110				
		44-3							UHDL 14	Up Hall Direction Lantern 14	44-3		828				
		44-4							DHDL 14	Down Hall Direction Lantern 14	44-4		860				
UHB 15	Up Hall Button 15	45-1	P4:2	79					UHTTL 15	UHB Tell Tale Light 15	45-1	P4:4	79				
HB 15	Hall Button 15	45-2	P5:2	111					HB TTL 15	HB Tell Tale Light 15	45-2	P5:4	111				
		45-3							UHDL 15	Up Hall Direction Lantern 15	45-3		829				
		45-4							DHDL 15	Down Hall Direction Lantern 15	45-4		861				
UHB 16	Up Hall Button 16	46-1	P4:2	80					UHTTL 16	UHB Tell Tale Light 16	46-1	P4:4	80				
HB 16	Hall Button 16	46-2	P5:2	112					HB TTL 16	HB Tell Tale Light 16	46-2	P5:4	112				
		46-3							UHDL 16	Up Hall Direction Lantern 16	46-3		830				
		46-4							DHDL 16	Down Hall Direction Lantern 16	46-4		862				
UHB 17	Up Hall Button 17	47-1	P4:2	81					UHTTL 17	UHB Tell Tale Light 17	47-1	P4:4	81				
HB 17	Hall Button 17	47-2	P5:2	113					HB TTL 17	HB Tell Tale Light 17	47-2	P5:4	113				
		47-3							UHDL 17	Up Hall Direction Lantern 17	47-3		831				
		47-4							DHDL 17	Down Hall Direction Lantern 17	47-4		863				
UHB 18	Up Hall Button 18	48-1	P4:2	82					UHTTL 18	UHB Tell Tale Light 18	48-1	P4:4	82				
HB 18	Hall Button 18	48-2	P5:2	114					HB TTL 18	HB Tell Tale Light 18	48-2	P5:4	114				
		48-3							UHDL 18	Up Hall Direction Lantern 18	48-3		832				
		48-4							DHDL 18	Down Hall Direction Lantern 18	48-4		864				
UHB 19	Up Hall Button 19	49-1	P4:2	83					UHTTL 19	UHB Tell Tale Light 19	49-1	P4:4	83				
HB 19	Hall Button 19	49-2	P5:2	115					HB TTL 19	HB Tell Tale Light 19	49-2	P5:4	115				
		49-3							UHDL 19	Up Hall Direction Lantern 19	49-3		833				
		49-4							DHDL 19	Down Hall Direction Lantern 19	49-4		865				
UHB 20	Up Hall Button 20	50-1	P4:2	84					UHTTL 20	UHB Tell Tale Light 20	50-1	P4:4	84				
HB 20	Hall Button 20	50-2	P5:2	116					HB TTL 20	HB Tell Tale Light 20	50-2	P5:4	116				
		50-3							UHDL 20	Up Hall Direction Lantern 20	50-3		834				
		50-4							DHDL 20	Down Hall Direction Lantern 20	50-4		866				

B

B

C

C

D

D

E

E

↑ Please fill in ↑

↑ Please fill in ↑

WARNING
THIS WORK AND THE INFORMATION IT CONTAINS ARE THE PROPERTY OF OTIS ELEVATOR COMPANY (OTIS). IT IS RELEASED TO CLIENTS ON THE EXPRESS CONDITION THAT IT WILL BE USED ONLY FOR THE ORIGINAL USE OF OTIS, THAT NEITHER IT NOR ITS CONTENTS BE LOANED, REPRODUCED, COPIED, DISSEMINATED OR OTHERWISE USED WITHOUT THE PRIOR WRITTEN CONSENT OF OTIS, AND THAT ON RETURN TO OTIS, UNPUBLISHED WORK © OTIS ELEVATOR COMPANY ALL RIGHTS RESERVED.

DWG DAA21290CW
OTIS ENGINEERING CHINA

CHANGES							
---------	--	--	--	--	--	--	--



SYSTEM WIRING DIAGRAM FOR AC2 MR CONTROLLER

DRAWN	Liu Hui	ORIGINAL DATE	2009-01-12
CHK	Zhang Haijun	SHEETS	
APPD	Wang Yajun	SHEET	33
AUTH	CA78A-002568		

A3

A

B

C

D

E

A

B

C

D

E

NOTE4

Standard I/O List
Software Version :

INPUT				Location :	Hall					
				Remarks :	DCL/FCL					
Symbol	Description	Addr.	DAA26800G Pin	I/O	Orig.	Revision		Page :		
						1	2			
						No.	No.			
UHB 21	Up Hall Button 21	51-1	P4:2	85						
HB 21	Hall Button 21	51-2	P5:2	117						
		51-3								
		51-4								
UHB 22	Up Hall Button 22	52-1	P4:2	86						
HB 22	Hall Button 22	52-2	P5:2	118						
		52-3								
		52-4								
UHB 23	Up Hall Button 23	53-1	P4:2	87						
HB 23	Hall Button 23	53-2	P5:2	119						
		53-3								
		53-4								
UHB 24	Up Hall Button 24	54-1	P4:2	88						
HB 24	Hall Button 24	54-2	P5:2	120						
		54-3								
		54-4								
UHB 25	Up Hall Button 25	55-1	P4:2	89						
HB 25	Hall Button 25	55-2	P5:2	121						
		55-3								
		55-4								
PKS	Parking Switch	56-1	P2:2	11						
			P2:2							
UHB 26	Up Hall Button 26	57-1	P4:2	90						
HB 26	Hall Button 26	57-2	P5:2	122						
		57-3								
		57-4								

↑ Please fill in ↑

NOTE4

Standard I/O List
Software Version :

OUTPUT				Location :	Hall					
				Remarks :	DCL/FCL					
Symbol	Description	Addr.	DAA26800G Pin	I/O	Orig.	Revision		Page :		
						1	2			
						No.	No.			
UHTTL 21	UHB Tell Tale Light 21	51-1	P4:4	85						
HB TTL 21	HB Tell Tale Light 21	51-2	P5:4	117						
UHDL 21	Up Hall Direction Lantern 21	51-3		835						
DHDL 21	Down Hall Direction Lantern 21	51-4		867						
UHTTL 22	UHB Tell Tale Light 22	52-1	P4:4	86						
HB TTL 22	HB Tell Tale Light 22	52-2	P5:4	118						
UHDL 22	Up Hall Direction Lantern 22	52-3		836						
DHDL 22	Down Hall Direction Lantern 22	52-4		868						
UHTTL 23	UHB Tell Tale Light 23	53-1	P4:4	87						
HB TTL 23	HB Tell Tale Light 23	53-2	P5:4	119						
UHDL 23	Up Hall Direction Lantern 23	53-3		837						
DHDL 23	Down Hall Direction Lantern 23	53-4		869						
UHTTL 24	UHB Tell Tale Light 24	54-1	P4:4	88						
HB TTL 24	HB Tell Tale Light 24	54-2	P5:4	120						
UHDL 24	Up Hall Direction Lantern 24	54-3		838						
DHDL 24	Down Hall Direction Lantern 24	54-4		870						
UHTTL 25	UHB Tell Tale Light 25	55-1	P4:4	89						
HB TTL 25	HB Tell Tale Light 25	55-2	P5:4	121						
UHDL 25	Up Hall Direction Lantern 25	55-3		839						
DHDL 25	Down Hall Direction Lantern 25	55-4		871						
PKL	Paking Light	56-1		553						
LNSL	Load Non Stop Light	56-2		1024						
HUDL	Hall up direction light	56-3		549						
HDDL	Hall down direction light	56-4		550						
UHTTL 26	UHB Tell Tale Light 26	57-1	P4:4	90						
HB TTL 26	HB Tell Tale Light 26	57-2	P5:4	122						
UHDL 26	Up Hall Direction Lantern 26	57-3		840						
DHDL 26	Down Hall Direction Lantern 26	57-4		872						

↑ Please fill in ↑

WARNING

THIS WORK AND THE INFORMATION IT CONTAINS ARE THE PROPERTY OF OTIS ELEVATOR COMPANY. IT IS RELEASED TO OTHERS ON THE EXPRESS CONDITION THAT IT WILL BE USED ONLY FOR OR ON BEHALF OF OTIS, THAT NEITHER IT NOR DISCOVERIES MADE THEREON BE PUBLISHED OR DISCLOSED IN ANY MANNER WITHOUT THE PRIOR WRITTEN CONSENT OF OTIS, AND THAT ON RETURN TO OTIS, UNPUBLISHED WORK © OTIS ELEVATOR COMPANY ALL RIGHTS RESERVED.

DWG DAA21290CW

OTIS ENGINEERING CHINA

CHANGES

SYSTEM WIRING DIAGRAM FOR AC2 MR CONTROLLER

DRAWN	Liu Hui	ORIGINAL DATE	2009-01-12
CHK	Zhang Haijun	SHEETS	
APPD	Wang Yajun	SHEET	34
AUTH	CA78A-002568		

A3

A

A

Standard I/O List									NOTE4								Standard I/O List									NOTE4							
Software Version :																	Software Version :																
INPUT				Location : Remarks :			Hall DCL/FCL		Page :	OUTPUT				Location : Remarks :			Hall DCL/FCL		Page :														
Symbol	Description	Addr.	DAA26800G Pin	I/O	Orig.	Revision 1 No. 2 No.			Symbol	Description	Addr.	DAA26800G Pin	I/O	Orig.	Revision 1 No. 2 No.																		
UHB 27	Up Hall Button 27	58-1	P4:2	91					UHTTL 27	UHB Tell Tale Light 27	58-1	P4:4	91																				
HB 27	Hall Button 27	58-2	P5:2	123					HB TTL 27	HB Tell Tale Light 27	58-2	P5:4	123																				
		58-3							UHDL 27	Up Hall Direction Lantern 27	58-3		841																				
		58-4							DHDL 27	Down Hall Direction Lantern 27	58-4		873																				
UHB 28	Up Hall Button 28	59-1	P4:2	92					UHTTL 28	UHB Tell Tale Light 28	59-1	P4:4	92																				
HB 28	Hall Button 28	59-2	P5:2	124					HB TTL 28	HB Tell Tale Light 28	59-2	P5:4	124																				
		59-3							UHDL 28	Up Hall Direction Lantern 28	59-3		842																				
		59-4							DHDL 28	Down Hall Direction Lantern 28	59-4		874																				
UHB 29	Up Hall Button 29	60-1	P4:2	93					UHTTL 29	UHB Tell Tale Light 29	60-1	P4:4	93																				
HB 29	Hall Button 29	60-2	P5:2	125					HB TTL 29	HB Tell Tale Light 29	60-2	P5:4	125																				
		60-3							UHDL 29	Up Hall Direction Lantern 29	60-3		843																				
		60-4							DHDL 29	Down Hall Direction Lantern 29	60-4		875																				
UHB 30	Up Hall Button 30	61-1	P4:2	94					UHTTL 30	UHB Tell Tale Light 30	61-1	P4:4	94																				
HB 30	Hall Button 30	61-2	P5:2	126					HB TTL 30	HB Tell Tale Light 30	61-2	P5:4	126																				
		61-3							UHDL 30	Up Hall Direction Lantern 30	61-3		844																				
		61-4							DHDL 30	Down Hall Direction Lantern 30	61-4		876																				
		62-1	P4:2								62-1																						
HB 31	Hall Button 31	62-2	P5:2	127					HB TTL 31	HB Tell Tale Light 31	62-2	P5:4	127																				
		62-3									62-3																						
		62-4							DHDL 31	Down Hall Direction Lantern 31	62-4		877																				
									SOM	Switch Over Module	63-4																						

↑ Please fill in ↑

↑ Please fill in ↑

E

E

WARNING
THIS WORK AND THE INFORMATION IT CONTAINS ARE THE PROPERTY OF OTIS ELEVATOR COMPANY. IT IS RELEASED TO OTHERS ON THE EXPRESS CONDITION THAT IT WILL BE USED ONLY FOR THE ORIGINAL USE OF OTIS, THAT NEITHER IT NOR THE INFORMATION CONTAINED THEREIN BE REPRODUCED OR DISCLOSED IN WHOLE OR IN PART, WITHOUT THE PRIOR WRITTEN CONSENT OF OTIS, AND THAT ON RETURNED TO OTIS.
UNPUBLISHED WORK © OTIS ELEVATOR COMPANY
ALL RIGHTS RESERVED.

DWG DAA21290CW
OTIS ENGINEERING CHINA

CHANGES



SYSTEM WIRING DIAGRAM
FOR AC2 MR CONTROLLER

DRAWN	Liu Hui	ORIGINAL DATE	2009-01-12
CHK	Zhang Haijun	SHEETS	
APPD	Wang Yajun	SHEET	35
AUTH	CA78A-002568		

A3

A

A

B

B

C

C

D

D

E

E

Standard I/O List										NOTE6	Standard I/O List										NOTE6
Software Version :																					
INPUT										OUTPUT											
Location :										Location :											
Symbol	Description	Addr.	DAA25005C1 Pin	RS14 Pin	I/O	Orig.	Revision		Page :	Symbol	Description	Addr.	DAA25005C1 Pin	RS14 Pin	I/O	Orig.	Revision		Page :		
							1 No.	2 No.									1 No.	2 No.			
EQC1	Earth Quake Contact 1 (80Gal)	29-1		P1:2	1008					EQR1	Earth Quake Reset 1	29-2		P2:4	1010						
EQC2	Earth Quake Contact 2 (120Gal)	29-2		P2:2	1009																

↑ Please fill in ↑

↑ Please fill in ↑

WARNING
THIS WORK AND THE INFORMATION IT CONTAINS ARE THE PROPERTY OF OTIS ELEVATOR COMPANY. OTIS IS BEING USED TO DENY OTIS THE EXCLUSIVE RIGHT TO USE OTIS IN ANY MANNER OR TO REPRODUCE OR TRANSMIT IN ANY MANNER THE INFORMATION CONTAINED HEREIN. IT IS BEING USED ON THE EXPRESS UNDERSTANDING THAT IT WILL BE USED ONLY FOR THE PROJECT AND ONLY IN THE MANNER AND WITH THE PROPER WRITTEN CONSENT OF OTIS. RETURNED TO OTIS. UNPUBLISHED WORK. © OTIS ELEVATOR COMPANY ALL RIGHTS RESERVED.

DWG DAA21290CW
OTIS ENGINEERING CHINA

CHANGES



SYSTEM WIRING DIAGRAM FOR ACD2 MR CONTROLLER

DRAWN	Liu Hui	ORIGINAL DATE	2009-01-12
CHK	Zhang Haijun	SHEETS	36
APPD	Wang Yajun	SHEET	36
AUTH	CA79A-002568		

A3

1 2 3 4 5 6 7 8

A

A

B

B

C

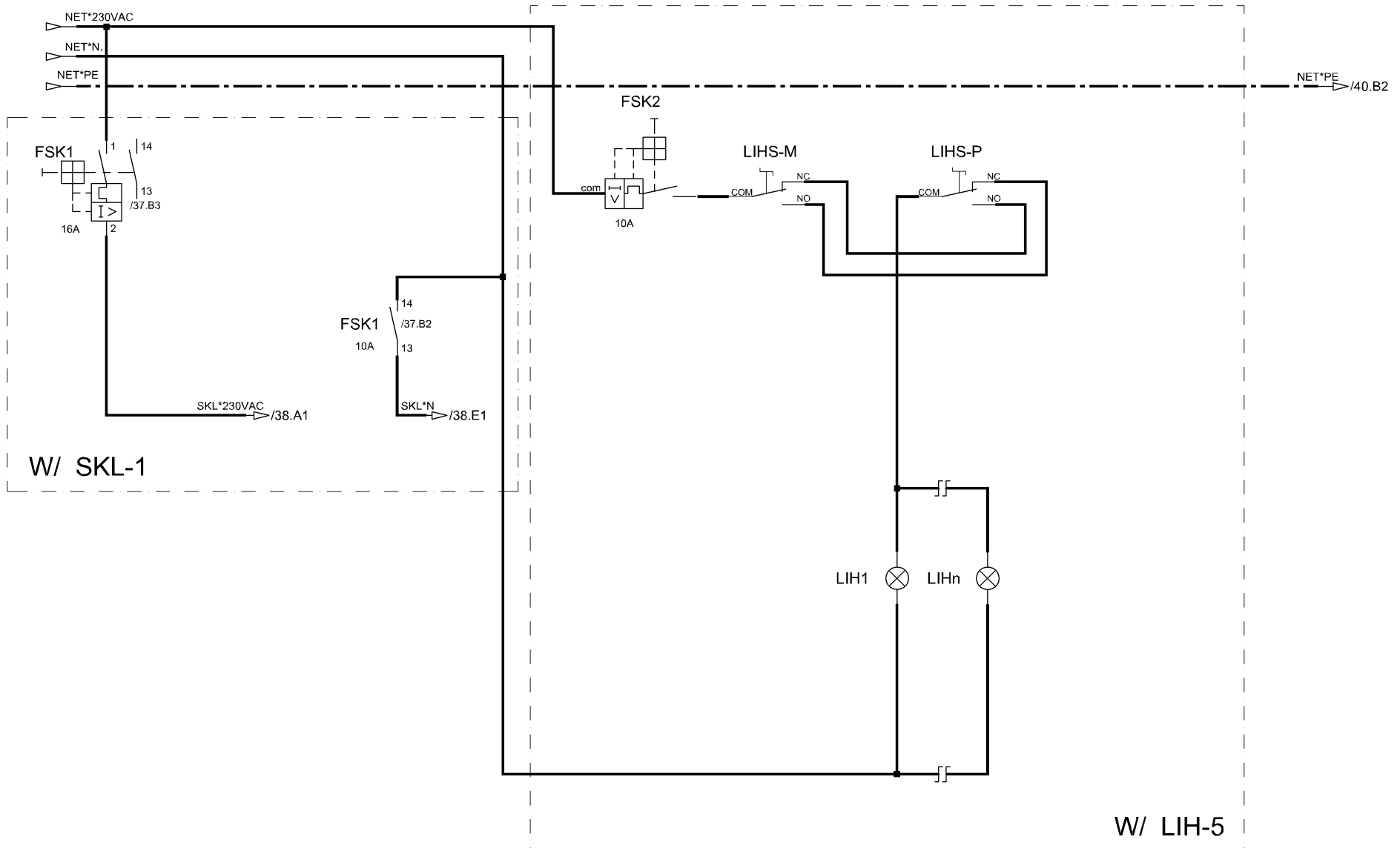
C

D

D

E

E



W/ SKL-1

W/ LIH-5

WARNING
 THIS WORK AND THE INFORMATION IT CONTAINS ARE THE PROPERTY OF OTIS ELEVATOR COMPANY. IT IS RELEASED TO OTHERS ON THE EXPRESS CONDITION THAT IT WILL BE USED ONLY FOR THE ORIGINAL USE OF OTIS. THAT NEITHER IT NOR THE INFORMATION IT CONTAINS SHALL BE REPRODUCED OR DISCLOSED IN WHOLE OR IN PART, WITHOUT THE PRIOR WRITTEN CONSENT OF OTIS, AND THAT ON RETURNED TO OTIS.
 UNPUBLISHED WORK © OTIS ELEVATOR COMPANY ALL RIGHTS RESERVED.

DWG DAA21290CW
 OTIS ENGINEERING CHINA

SYSTEM WIRING DIAGRAM
 FOR AC2 MR CONTROLLER

DRAWN	Liu Hui	ORIGINAL DATE	2009-01-12
CHK	Zhang Haijun	SHEETS	
APPD	Wang Yajun	SHEET	37
AUTH	CA78A-002568		

CHANGES

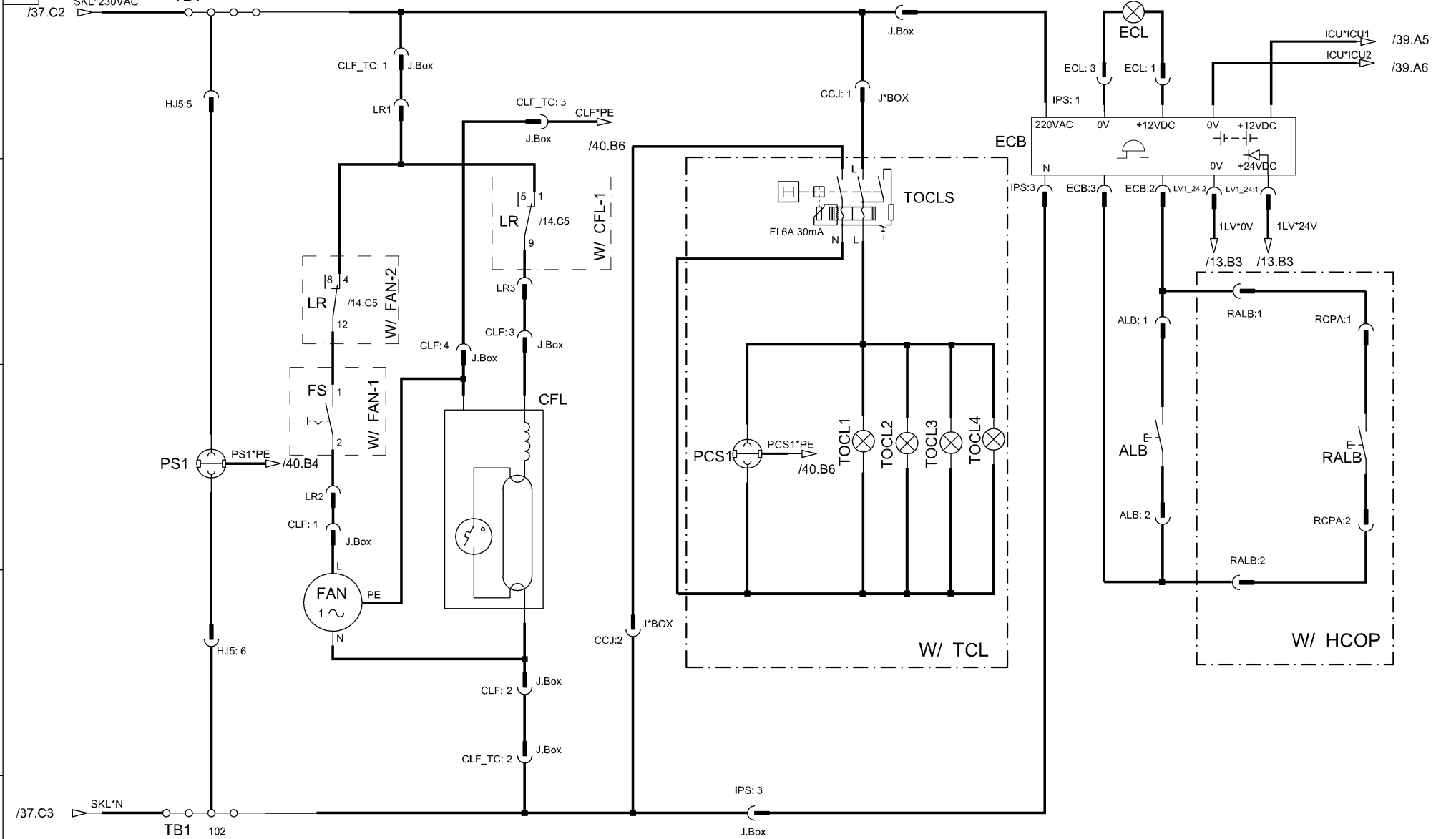


DRAFTED IN ACCORDANCE WITH OTIS DOCUMENT 52847

ALL DIMENSIONS METRIC

1 2 3 4 5 6 7 8

A3



WARNING
 THIS WORK AND THE INFORMATION IT CONTAINS ARE THE PROPERTY OF OTIS ELEVATOR COMPANY. IT IS RELEASED TO OTHERS ON THE EXPRESS CONDITION THAT IT WILL BE USED ONLY FOR THE BENEFIT OF OTIS, THAT NEITHER IT NOR DISCOVERIES MADE THEREON WILL BE REPRODUCED OR DISCLOSED IN WHOLE OR IN PART, WITHOUT THE PRIOR WRITTEN CONSENT OF OTIS, AND THAT ON RETURN TO OTIS, UNPUBLISHED WORK © 1998 ELEVATOR COMPANY ALL RIGHTS RESERVED.

DWG DAA21290CW
 OTIS ENGINEERING CHINA

CHANGES							

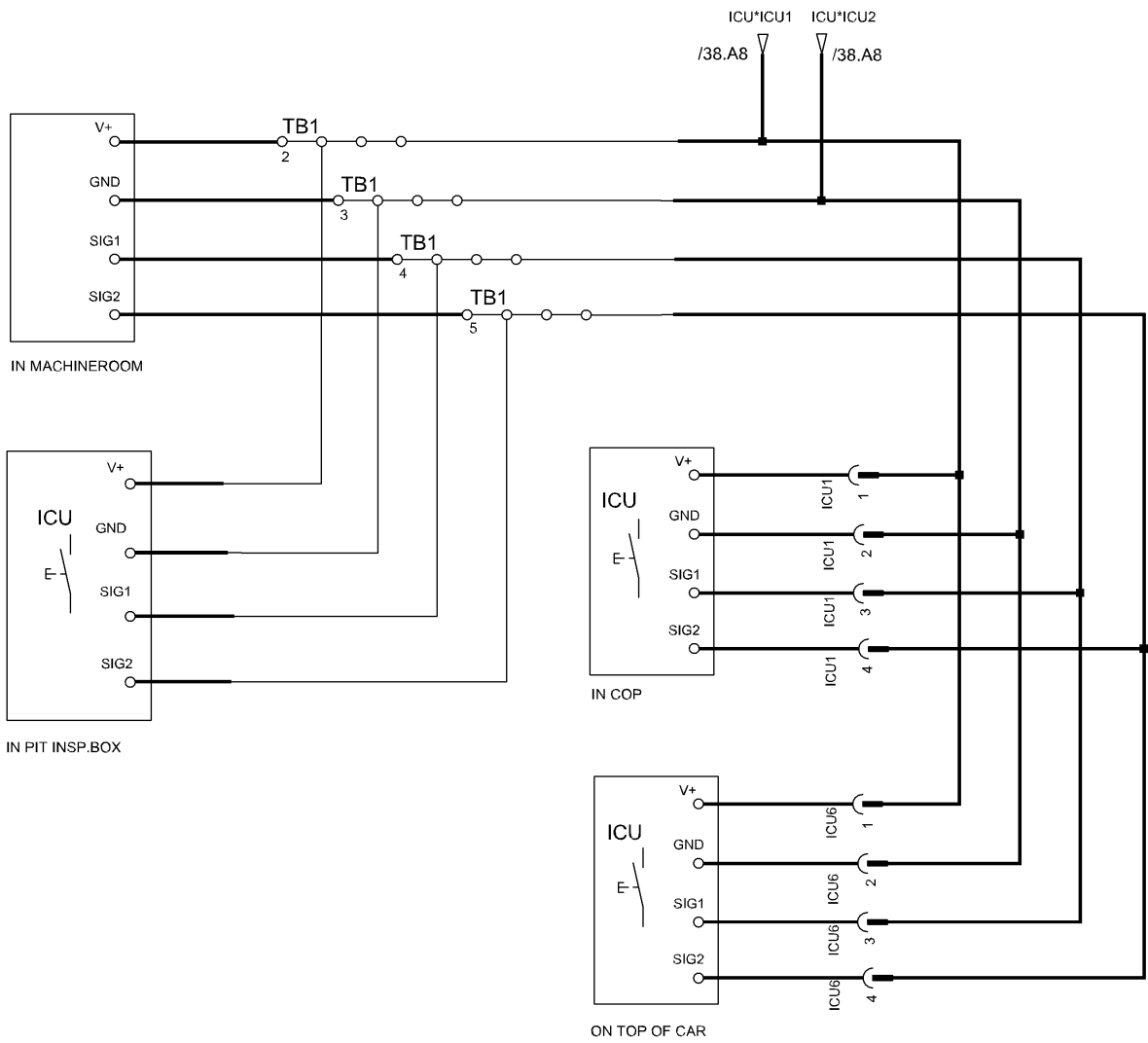


SYSTEM WIRING DIAGRAM
 FOR AC2 MR CONTROLLER

DRAWN	Liu Hui	ORIGINAL DATE	2009-01-12
CHK	Zhang Haijun	SHEETS	
APPD	Wang Yajun	SHEET	38
AUTH	CA78A-002568		

DRAFTED IN ACCORDANCE WITH OTIS DOCUMENT 52847

ALL DIMENSIONS METRIC



Intercom system wiring

WARNING
 THIS WORK AND THE INFORMATION IT CONTAINS ARE THE PROPERTY OF OTIS ELEVATOR COMPANY (OTIS). IT IS RELEASED TO OTHERS ON THE EXPRESS CONDITION THAT IT WILL BE USED ONLY FOR THE ORIGINAL USE OF OTIS, THAT NEITHER IT NOR THE INFORMATION CONTAINED HEREIN WILL BE REPRODUCED OR DISCLOSED IN WHOLE OR IN PART, WITHOUT THE PRIOR WRITTEN CONSENT OF OTIS; AND THAT ON RETURNING TO OTIS, UNPUBLISHED WORK © OTIS ELEVATOR COMPANY ALL RIGHTS RESERVED.

DWG DAA21290CW

OTIS ENGINEERING CHINA

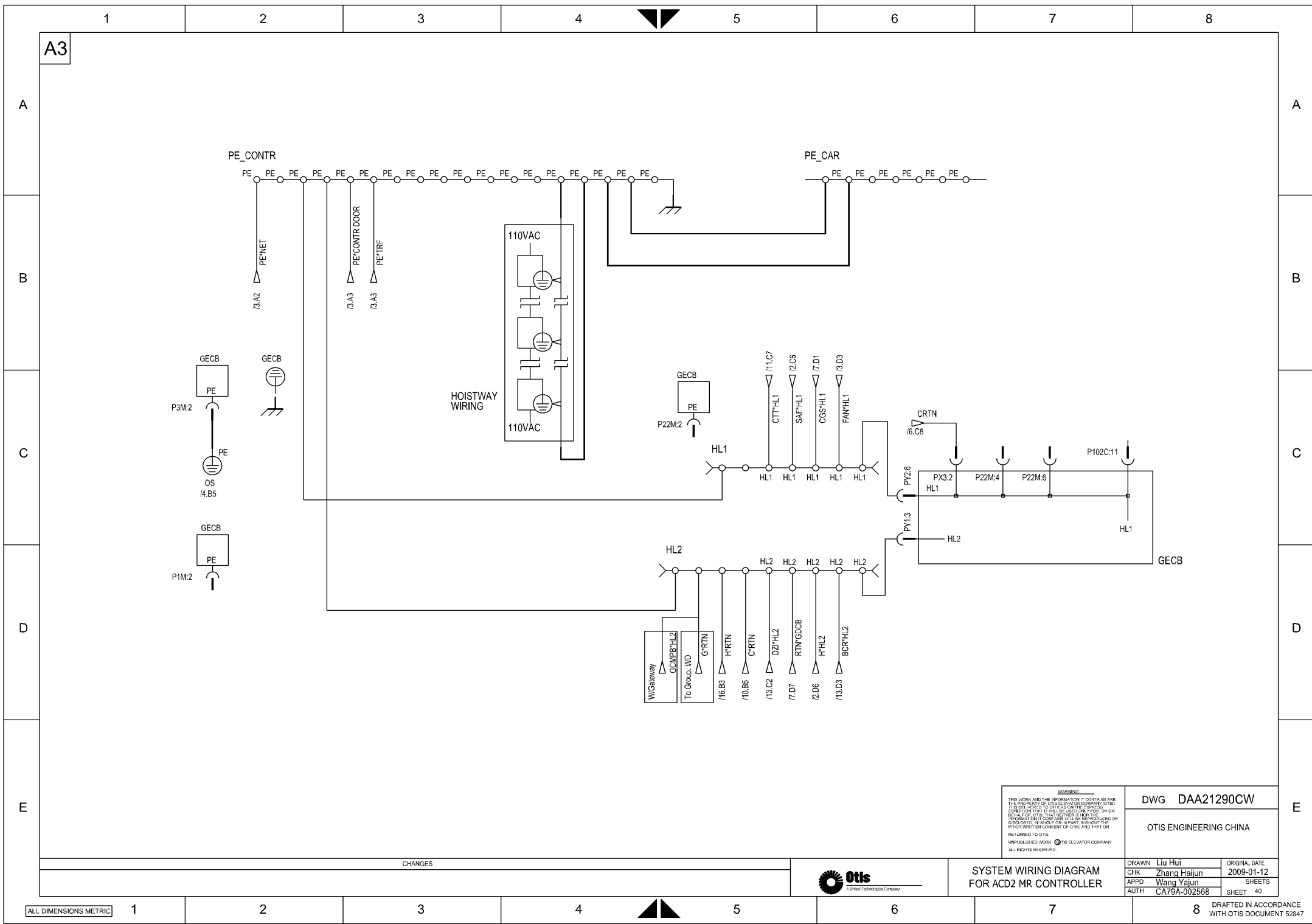
CHANGES



SYSTEM WIRING DIAGRAM
 FOR AC2D MR CONTROLLER

DRAWN	Liu Hui	ORIGINAL DATE	2009-01-12
CHK	Zhang Haijun	SHEETS	
APPD	Wang Yajun	SHEET	39
AUTH	CA79A-002568		

DRAFTED IN ACCORDANCE WITH OTIS DOCUMENT 52647



WARNING
 THIS WORK AND THE INFORMATION IT CONTAINS ARE THE PROPERTY OF OTIS ELEVATOR COMPANY (OTIS). IT IS RELEASED TO OTHERS ON THE EXPRESS CONDITION THAT IT WILL BE USED ONLY FOR THE ORIGINAL PURPOSE AND THAT NEITHER OTIS NOR ANY OF ITS SUBSIDIARIES OR AFFILIATES WILL BE RESPONSIBLE FOR ANY DAMAGE, INJURY, LOSS, OR LIABILITY, ARISING FROM THE USE OF THIS INFORMATION, WITHOUT THE PRIOR WRITTEN CONSENT OF OTIS, AND THAT ON RETURN TO OTIS, UNPUBLISHED WORK © 1998 ELEVATOR COMPANY ALL RIGHTS RESERVED.

DWG DAA21290CW
 OTIS ENGINEERING CHINA

CHANGES							



SYSTEM WIRING DIAGRAM
 FOR AC2 MR CONTROLLER

DRAWN	Liu Hui	ORIGINAL DATE	2009-01-12
CHK	Zhang Haijun	SHEETS	40
APPD	Wang Yajun	SHEET	40
AUTH	CA78A-002568		

DRAFTED IN ACCORDANCE WITH OTIS DOCUMENT 52847

ALL DIMENSIONS METRIC

A3

A

B

C

D

E

A

B

C

D

E

PC-BOARD: GECB

PINNAME	SIGNAL MARKING	LOC.	PINNAME	SIGNAL MARKING	LOC.	PINNAME	SIGNAL MARKING	LOC.
PY1:1	-		P20M:1	AC4	/11.B2	P102C:11	HL1	/40.C8
PY1:2	-	/2.B7	P20M:2	AC5	/11.B2	P102C:4	AA12	/5.D5
PY1:3	HL2	/40.D6	PX1:5	CAN_H	/10.A1	P102C:5	DFC	/5.C6
PY1:4	-		PX1:6	CAN_L	/10.A2	P6T:1	ES	
PY1:5	-	/2.B7	PX1:7	HL2		P6T:2	DW	/5.B4
PY2:1	-		PX1:8	SPB+	/10.A1	P6T:3	AA12	
PY2:2	AB1	/2.C7	PX1:9	EFO	/16.C2			
PY2:3	AC2		P22M:7	30V	/16.B2			
PY2:4	-	/2.D7	P22M:8	HL2				
PY2:5	-		P_C:1	CGS CHECK				
PY2:6	HL1	/40.C6	P_C:2	UCMR CHECK				
P19M:1	AC5	/11.C4	PX2:3	UCMCR				
P19M:2	2TH		PX5:3	SPB+FUSED				
P19M:4	AA100	/4.B2	P1XX:1	-				
P19M:5	AA1		P1XX:2	-				
P102C:1	AA100	/4.C1	P1XX:3	-				
P102C:2	AA5	/4.C3	P1XX:4	-				
P5T:1	AA5		P1YY:1	-				
P5T:2	AA6	/4.D3	P1YY:2	-				
P5T:3	NC		P1YY:3	-				
P102C:12	AA6		P1YY:4	-				
P3M:1	AA6	/4.E3	P101C:1	DL1				
P102C:3	AA10	/4.B7	P101C:2	DL2	/13.B1			
P4M:1	AA10		P101C:3	HL2 RTN				
P4M:2	AA9	/4.C7	P101C:4	VRS_CAR 30VDC	/13.A1			
P4M:3	ERO		P101C:5	1LV	/13.C3			
P4M:4	AA14	/6.D3	P101C:6	2LV	/13.C4			
P4M:5	AA15	/6.D4	P101C:7	1LS	/13.C7			
P4M:6	UIB	/6.B4	P101C:8	2LS	/13.C8			
P4M:7	DIB	/6.B3	P101C:9	CAR_CAN_H	/10.A6			
P10H:1	HL2		P101C:10	CAR_CAN_L				
P10H:2	1RTD	/4.C5	P101C:11	UIS	/13.C5			
P10H:3	HL2	/4.D5	P101C:12	DIS	/13.C6			
P10H:4	1RRD	/4.C5	PX1:1	1LV	/13.D3			
P10H:5	3RTD	/4.D5	PX1:2	2LV	/13.D4			
P3M:3	AA8	/4.C5	PX1:3	UIS	/13.C5			
P2H:2	AA8	/4.D6	PX1:4	DIS	/13.C6			
P2H:5	AA9		P3M:2	PE	/40.C2			
P102C:6	AA15	/6.D1	P1M:2	PE	/40.D2			
P102C:8	AA14	/6.D2	P22M:2	PE	/40.C5			
PX3:1	AB2		PX4:2	AC2	/11.B1			
PX3:3	DIB	/6.A4	PX4:3	1TH				
PX3:4	UIB		PX3:2	HL1	/40.C6			
PX3:6	AB1	/11.A2	P22M:4	HL1				
PX3:7	AC4	/11.B2	P22M:6	HL1	/40.C7			

GECB TERMINALS

1	/2.B7
2	
3	/40.D6
4	
5	/2.B7

1	
2	/2.C7
3	
4	/2.D7
5	
6	/40.C6

1	/12.D3
2	
3	/13.D3

1	
2	/5.B4
3	

1	/13.B1
2	/13.B1
3	/13.B1
4	/13.A1
5	/13.C3
6	/13.C4
7	/13.C7
8	/13.C8
9	/10.A4
10	/10.A6
11	/13.C5
12	/13.C6

1	/4.C1
2	/4.C3
3	/4.B7
4	/5.D5
5	/5.C6
6	/6.D1
7	-
8	/6.D2
9	-
10	-
11	/40.C8
12	/4.D3

1	/13.D3
2	/13.D4
3	/13.C5
4	/13.C6
5	/10.A1
6	/10.A2
7	/10.A2
8	/10.A1
9	/16.C2

1	/16.C3
2	-
3	

1	/6.A4
2	/40.C6
3	/6.A4
4	/6.A4
5	-
6	/11.A2
7	/11.B2

1	-
2	/11.B1
3	/11.B1

1	-
2	/40.D2

1	/4.E3
2	/40.C2
3	/4.C6

1	/4.B6 /4.B7
2	/4.C6
3	/4.C7
4	/6.D3
5	/6.D4
6	/6.B4
7	/6.B3

1	/11.C4
2	/11.C4
3	-
4	/4.B2
5	/4.B2

1	/11.B2
2	/11.B2

WARNING
 THIS WORK AND THE INFORMATION IT CONTAINS ARE THE PROPERTY OF OTIS ELEVATOR COMPANY (OTIS). IT IS RELEASED TO OTHERS ON THE EXPRESS CONDITION THAT IT WILL BE USED ONLY FOR THE ORIGINAL USE OF OTIS, THAT NEITHER IT NOR THE INFORMATION CONTAINED THEREIN WILL BE REPRODUCED OR DISCLOSED IN WHOLE OR IN PART, WITHOUT THE PRIOR WRITTEN CONSENT OF OTIS, AND THAT ON RETURN TO OTIS, UNPUBLISHED WORK © OTIS ELEVATOR COMPANY ALL RIGHTS RESERVED.

DWG DAA21290CW
 OTIS ENGINEERING CHINA

DRAWN Liu Hui
 CHK Zhang Haijun
 APPD Wang Yajun
 AUTH CA78A-002568

ORIGINAL DATE 2009-01-12
 SHEETS
 SHEET 41

CHANGES



SYSTEM WIRING DIAGRAM FOR AC2 MR CONTROLLER

A3

3HM	
1	/16.A7
2	/16.A7
3	
4	/16.B7
5	/16.B7
6	
7	
8	/11.C2
9	/11.C2

1HM	
1	/16.A3
2	/16.A3
3	
4	/16.A3
5	/16.B3
6	
7	/13.C7
8	/13.C8
9	/13.B7

2HM	
1	/5.C4
2	/4.D6
3	
4	/5.A3
5	/4.D6
6	
7	
8	
9	

101CM	
1	/13.B2
2	/13.B2
3	/13.A2
4	/13.A2
5	/13.C4
6	/13.C5
7	/13.B5
8	/13.B6
9	

102CM	
1	/4.D2
2	/4.C3
3	/4.B6
4	/5.E5
5	/5.C6
6	/6.D1
7	/6.D2
8	
9	/4.D4

BRK	
1	/7.A7
2	/7.B7
3	/7.B7
4	
5	
6	
7	
8	
9	

BS	
1	/7.B8
2	/7.B8
3	
4	/7.B8
5	/7.B8
6	/3.C6
7	/3.C6
8	
9	

3CM	
1	/2.C6
2	
3	/2.C6
4	
5	/11.A6
6	/11.B6
7	/13.D2
8	
9	

4CM	
1	/6.B4
2	/6.B4
3	/5.A6
4	/5.C6
5	
6	
7	
8	
9	

TB1			
PIN	LOC.		
1	/5.C6		
2	ICU BAT+ (For Sys)		
3	ICU BAT- (For Sys)		
4	ICU TX (For sys)		
5	ICU RX (For sys)		
7	/4.E1	8	/4.E2
9	/13.C2	10	/13.C2
11	/16.D3		
12	/16.B3		
13	/16.B4		
16	/16.C2		
101	Light-A(For Sys.)		
102	Light-B(For Sys.)		

China

CTT	
PIN	LOC.
1	/7.A1
2	/7.B1
3	/7.A3
4	/7.D2
5	/7.D2
6	
7	
8	
9	
10	
11	
12	
13	
14	
15	
16	
17	
18	
19	
20	
21	

5CM	
1	/10.B5
2	/10.B5
3	/10.B6
4	/10.B6
5	
6	
7	
8	
9	

CTR TERMINALS

WARNING
 THIS WORK AND THE INFORMATION IT CONTAINS ARE THE PROPERTY OF OTIS ELEVATOR COMPANY (OTIS). IT IS RELEASED TO YOU ON THE EXPRESS CONDITION THAT IT WILL BE USED ONLY FOR THE ORIGINAL USE OF OTIS, THAT NEITHER IT NOR THE INFORMATION CONTAINED THEREIN WILL BE DISCLOSED OR REPRODUCED IN ANY MANNER WITHOUT THE PRIOR WRITTEN CONSENT OF OTIS, AND THAT ON RETURN TO OTIS.
 UNPUBLISHED WORK © OTIS ELEVATOR COMPANY
 ALL RIGHTS RESERVED.

DWG DAA21290CW
 OTIS ENGINEERING CHINA

SYSTEM WIRING DIAGRAM
 FOR AC2 MR CONTROLLER

DRAWN	Liu Hui	ORIGINAL DATE	2009-01-12
CHK	Zhang Haijun	SHEETS	
APPD	Wang Yajun	SHEET	42
AUTH	CA78A-002568		

CHANGES



DRAFTED IN ACCORDANCE WITH OTIS DOCUMENT 52847

A3

A

B

C

D

E

A

B

C

D

E

PC-BOARD: GDCB

PINNAME	SIGNAL MARKING	LOC.
P1:46	-	
P1:47	-	
P5:1	BS1	
P5:2	BS2	
P5:3	BCNT_START	/7.B6
P5:4	BCNT	
P5:5	E_BCNT	
P5:6	+24V_GDCB	
P5:7	RTN_GDCB	
P10	O.B.CONN 16	/7.D6
P3	OMU CONN 10	
P6:1	UIS	/13.D5
P6:2	DIS	/13.D6
P6:3	1LV	/13.D3
P6:4	2LV	/13.D4
P6:5	MOT_THM	/7.C1
P6:6	MOT_FAN	
P6:7	P24	
P6:8	P24_RTN	/7.C2
P6:9	P24	
P8:1	CAN_P24	/10.D3
P8:2	CAN_H	
P8:3	CAN_L	/10.D3
P8:4	CAN_RTN	
P9:1	A	
P9:2	/A	/3.C6
P9:3	B	
P9:4	/B	
P9:5	5V	
P9:6	RET	/3.D6
P9:7	15V	
P9:8	Scn.	
P11:1	SFC_IN	
P11:2	SFC_IN	
P11:3	SFC_EXT	
P11:4	n.c.	
P11:5	UIB	/6.B5
P11:6	n.c.	
P11:7	DIB	
P11:8	n.c.	
P11:9	SFC_RTN	/6.C7
P11:10	SFC_RTN	
P12:1	SFC_P	
P12:2	n.c.	/6.C6
P12:3	SFC_RTN	

GDCB-P5	
1	/7.B6
2	/7.B6
3	/7.C6
4	/7.C6
5	/7.C6
6	/7.D6
7	/7.D6

GDCB-P6	
1	/13.D5
2	/13.D6
3	/13.D3
4	/13.D4
5	/7.C2
6	/7.C1
7	/7.C2
8	/7.C2
9	/7.C2

GDCB-P8	
1	/10.D3
2	/10.D3
3	/10.D3
4	/10.D3

GDCB-P9	
1	/3.C6
2	/3.C6
3	/3.C6
4	/3.D6
5	/3.D6
6	/3.D6
7	/3.D6
8	/3.D6

GDCB-P11	
1	/6.C5
2	/6.B5
3	/6.B5
4	/6.B5
5	/6.A5
6	/6.B5
7	/6.A5
8	/6.B5
9	/6.C7
10	/6.C7

DRV TERMINALS

ERO

DEV.	LOC.
DBS1	
DBS2	/4.C6
DBS3	/6.D3
DBS4	/6.D3
DDB	/6.D3
UDB	/6.D3
DZI	/13.C2
MES2	/4.B2

PC-BOARD : DCSS5-E

PINNAME	SIGNAL MARKING	LOC.
P1:1	L1	
P1:2	PE	/8.B2
P1:3	N	
P2:1	+24V	/15.A5
P2:3	DOB	/15.C2
P2:4	REV/EDP	/15.C4
P4:1	ST1	
P4:2	ST2	/15.C6
P4:3	ST3	
P5:1	DOS	/15.C5
P5:2	DOL	/15.D1
P6:1	TXA0	
P6:2	TXB0	/8.B4
P6:3	RXA0	
P6:4	RXB0	
P8:2	U	
P8:3	PE	/8.C4
P8:4	V	
P8:5	W	
P10:1	15VDC	
P10:2	T1	/8.D4
P10:3	T2	
P10:4	GND	
P10:5	SCR	

PC-BOARD : AT120

PINNAME	SIGNAL MARKING	LOC.
3C:1	L1	
3C:2	N	/9.B2
3C:PE	PE	
P8	MOTOR SUPPLY	/9.B2
P10		
3		
4	Incre Encoder	/9.B2
5		
6		
P5:1	+24V	/15.A5
P5:2	DOS	/15.C5
P5:3	DOL	/15.D1
P5:4	/ST1	/15.C4
P5:5	/ST2	/15.C5
P5:6	/ST3	/15.C6
P5:7	/REV	/15.C3
P5:8	/DOB	/15.D3

PC-BOARD : NGSOK

PINNAME	SIGNAL MARKING	LOC.
P1:1	V1*VAC	
P1:2	PE*F	/8.B6
P1:3	N*F	
P2:1	24VDC	/15.A5
P2:2	---	
P2:3	DOB	/15.C3
P2:4	REV/EDP	/15.C4
P4:1	ST1	/15.C5
P4:2	ST2	/15.C6
P4:3	ST3	/15.C6
P5:1	DOS	/15.C5
P5:2	DOL	/15.D1
P5:3		
P8:1	PE	
P8:2	W	/8.C8
P8:3	V	
P8:4	U	
P10:1	REOR2	
P10:2	REOR1	
P10:3	REOB2	/8.D7
P10:4	REOB1	
P10:5	REOA2	
P10:6	REOA1	

PC-BOARD : GCMPB

PINNAME	SIGNAL MARKING	LOC.
P4:1	MTXD+	
P4:2	MTXD-	/25~29.C2
P4:3	MRXD+	
P4:4	MRXD-	
P5:1	TX+	
P5:2	TX-	
P5:3	RX+	/26~29.C3
P5:4	RX-	
P6:1	TX+	
P6:2	TX-	/27.D3
P6:3	RX+	/29.D3
P6:4	RX-	
P7:1	VIN_RTN	/25~28.D2
P7:2	VIN	

PC-BOARD : GCIB

PINNAME	SIGNAL MARKING	LOC.
P1:1	CGTX+	
P1:2	CGTX-	/26~29.C3
P1:3	CGRX+	
P1:4	CGRX-	
P2:1	RX-	
P2:2	RX+	
P2:3	GND	/26~29.C4
P2:4	5V	
P2:5	TX-	
P2:6	TX+	

WARNING
 THIS WORK AND THE INFORMATION CONTAINED HEREIN ARE THE PROPERTY OF OTIS ELEVATOR COMPANY (OTIS). IT IS DELIVERED TO OWNERS ON THE EXPRESS CONDITION THAT IT WILL BE USED ONLY FOR THE WORK SPECIFIED AND NOT FOR ANY OTHER PURPOSE. IT IS NOT TO BE REPRODUCED OR TRANSMITTED IN ANY FORM OR BY ANY MEANS, ELECTRONIC OR MECHANICAL, WITHOUT THE PRIOR WRITTEN CONSENT OF OTIS, AND THAT ON RETURNED TO OTIS.
 UNPUBLISHED WORK © OTIS ELEVATOR COMPANY
 ALL RIGHTS RESERVED

DWG DAA21290CW

OTIS ENGINEERING CHINA

2009-06-16 ADDED PC-BOARD:NGSOK. (CA79A-002919) SUN LEI



SYSTEM WIRING DIAGRAM FOR AC2 MR CONTROLLER

DRAWN	Liu Hui	ORIGINAL DATE	2009-01-12
CHK	Zhang Haijun	SHEETS	
APPD	Wang Yajun	SHEET	43
AUTH	CA79A-002568		

A3

A

B

C

D

E

A

B

C

D

E

PC-BOARD: HVIB

PINNAME	SIGNAL MARKING	LOC.
TB3:1-R	-	/3.B2 /3.B3
TB3:2-R	-	/3.B2 /3.B3
TB4:1-S	-	/3.B2 /3.B3
TB4:2-S	-	/3.B2 /3.B3
TB5:1-T	-	/3.B2 /3.B3
TB5:2-T	-	/3.B2 /3.B3
TB6:R	-	/3.B4
TB6:S	-	/3.B4
TB6:T	-	/3.B4
TB7:U	-	/3.B4
TB7:V	-	/3.B4
TB7:W	-	/3.B4
TB8:MRO+	-	/3.C2
TB8:MRO-	-	/3.C2
TB8:DC+	TBH*30VDC	/3.C2
TB8:DC-	TBH*RTN	/3.C2

PINNAME	SIGNAL MARKING	LOC.
P4:1	SFC_IN	/6.C6
P4:2	n.c.	/6.C6
P4:3	SFC_RTN	/6.C6
P102:1	SC_110VAC	/6.D7
P102:2	CRTN_BY	/6.D7
P102:3	+24V_HVI	/6.D7
P102:4	DBD2	/6.D7
P1:46	S1/7	/6.E7
P1:47	+24V_RTN	/6.E7
P100:1	S2/10	/6.E7
P100:2	S1/10	/6.E7
P111:1	-	/7.B3
P111:2	-	/7.B3
P111:3	AC_RTN	/7.B3
P111:4	BAK_GND	/7.B3
P5:1	+24_SW	/7.D3
P5:2	BRK_HOLD	/7.D3

P1	LOC.
1	/3.C5
50	/3.C5

P2	LOC.
1	/3.C5
30	/3.C5

P3	LOC.
1	/3.C2
2	/3.C2

P11	LOC.
1	/3.C4
2	/3.C4

P13A	LOC.
1	/3.C4
2	/3.C4

P6	LOC.
1	/7.B6
2	/7.B6
3	/7.B6

HVIB TERMINALS

WARNING
 THIS WORK AND THE INFORMATION IT CONTAINS ARE THE PROPERTY OF OTIS ELEVATOR COMPANY. OTIS IS RELUCTANT TO OFFER ON THE EXPRESS CONDITION THAT IT WILL BE USED ONLY FOR THE ORIGINAL USE OF OTIS, THAT NEITHER IT NOR THE INFORMATION HEREON SHALL BE REPRODUCED OR DISCLOSED IN ANY MANNER WITHOUT THE PRIOR WRITTEN CONSENT OF OTIS, AND THAT ON RETURN TO OTIS.
 UNPUBLISHED WORK © OTIS ELEVATOR COMPANY ALL RIGHTS RESERVED.

DWG DAA21290CW
 OTIS ENGINEERING CHINA

SYSTEM WIRING DIAGRAM
 FOR ACD2 MR CONTROLLER

DRAWN	Liu Hui	ORIGINAL DATE	2009-01-12
CHK	Zhang Haijun	SHEETS	
APPD	Wang Yajun	SHEET	44
AUTH	CA78A-002568		

CHANGES



DRAFTED IN ACCORDANCE WITH OTIS DOCUMENT 52847

A3 List device

1BFS	HTW	/4.E8	1st Oil buffer switch	缓冲器开关
1LS	HTW	/13.B7	Down slowdown limit switch	下行减速度限位开关
1LV	CAR	/13.B3	1st Door zone switch	门区开关
1PES	HTW	/4.B8	1st Pit emergency stop switch	底坑急停开关
2BFS	HTW	/4.E7	2nd Oil buffer switch	缓冲器开关
2LS	HTW	/13.B8	Up slowdown limit switch	上行减速度限位开关
2LV	CAR	/13.B4	2nd Door zone switch	门区开关
2PES	HTW	/4.C8	2nd Pit emergency stop switch	底坑急停开关
7LS	HTW	/4.E7	Down final limit switch	下终端极限开关
8LS	HTW	/4.E6	Up final limit switch	上终端极限开关
AB	CAR	/38.B7	Alarm bell	警铃
ALB	CAR	/38.C7	Alarm button	警铃按钮
AGS	CAR	/11.B6	Aux. gate switch	辅助轿门开关
AGSR	CTR	/11.C6	Aux. gate switch relay	辅助轿门开关继电器
AT120	CAR	/43.B7	AT120 Door operator	AT120 门机
ATK	CAR	/17.C1	Attendant key switch	司机开关
ATTD	CAR	/17.C2	Attendant down start button	司机操作下行起动手按钮
ATTU	CAR	/17.B2	Attendant up start button	司机操作上行起动手按钮
B	MR	/7.B7	Brake	制动器
BCR	CTR	/13.C2	Brake control relay	抱闸控制继电器
BS1	MR	/7.B8	1st Brake switch	抱闸开关
BS2	MR	/7.B8	2nd Brake switch	抱闸开关
BUZ	CAR	/17.C5	Buzzer	蜂鸣器
BY1 & BY2	MR	/7.C2	Brake relay	抱闸继电器
CB0	CAR	/18.C1	Car button 0	轿厢按钮
CBn	CAR	/18.C2	Car button n	轿厢按钮
CCM	CAR	/14.D1	Car chime	轿厢到站钟
CFL	CAR	/38.C3	Car fluorescence light	轿厢照明灯
CPI	CAR	/17.B4	Car position indicator	轿厢位置显示器
CWS-1	HTW	/4.B8	CWT with safety	对重安全钳
DBS1	ERO	/4.B7	Electrical recall switch	紧急电动运行开关
DBS2	ERO	/4.B7	Electrical recall switch	紧急电动运行开关
DBS3	ERO	/6.D3	Electrical recall switch	紧急电动运行开关
DBS4	ERO	/6.D3	Electrical recall switch	紧急电动运行开关
DCB	CAR	/18.D2	Door close button	关门按钮
DCSS5-E	CAR	/43.A6	DCSS5 door operator	DCSS5-E 门机

DDB	ERO	/43.B5	Electrical recall down direction button	紧急电动运行下行按钮
DHB	CAR	/18.C3	Door hold button	门保持按钮
DHBL	CAR	/18.C3	Door hold button light	门保持灯
DHBn	HTW	/30.C3	Down hall button	大厅下行呼叫按钮
DIS	CAR	/13.B6	Door zone limit switch down	门区下行限位开关
DOB	CAR	/18.C2	Door open button	开门按钮
DS1	HTW	/5.B2	Door contact	厅门触点
DSn	HTW	/5.C2	Door contact	厅门触点
DTG-X	HTW	/3.D7	Digital tacho generator	编码器
DZI	ERO	/13.C2	Door zone indicator	门区指示器
ECB	CAR	/38.B6	Emergency car box	轿厢应急电源盒
ECL	CAR	/38.A7	Emergency car light	轿厢应急灯
EEC	CAR	/4.B2	Emergency exit contact	紧急出口触点
EFO	HTW	/16.D2	Emergency fire operation	紧急消防员操作
F7C	CTR	/2.C6	Brake	断路器
F2C	CTR	/2.C6	Brake	断路器
F6C	CTR	/2.D4	Brake	断路器
F8C	CTR	/2.D6	Brake	熔断器
F9C	CTR	/2.D6	Brake	熔断器
FAN	CAR	/38.D2	Fan	风扇
FS	CAR	/38.C2	Fan switch	风扇开关
FSK1	MR	/37.B1	Brake	断路器
FSK2	MR	/37.B4	Brake	断路器
GCMPB	CTR	/25.C4	Communication Gateway Modem Processor Board	通信板
GCIB	CTR	/26.C4	Communication Gateway Isolation Board	隔离板
GCS	MR	/4.B5	CWT governor switch	对重限速器超速开关
GS	CAR	/5.E5	Gate switch	轿门门锁
GTC	HTW	/4.A8	Governor tension contact	限速器张紧动作触点
GEGB	CTR	/41.A1	Traction Control Board Can	牵引控制板
IGU	CAR	/39.C5	Intercommunication unit	通信单元（对讲机）
ISS	CAR	/17.C4	Independent service switch	独立服务开关
LIH1	HTW	/37.D6	Hoistway light	井道照明
LIHn	HTW	/37.D6	Hoistway light	井道照明
LIHS-M	MR	/37.B5	Hoistway light switch - Machinerom	井道照明开关 - 机房
LIHS-P	HTW	/37.B6	Hoistway light switch - In pit	井道照明开关 - 底坑
LR	CAR	/14.C6	Fan/Light relay	风扇/照明继电器
LRD	CAR	/15.D2	Light ray device	光幕
LT*C	CAR	/20.B8	Line Terminator	轿厢总线终端
LT*H	HTW	/30.B8	Line Terminator	大厅总线终端

WARNING
THIS WORK AND THE INFORMATION IT CONTAINS ARE THE PROPERTY OF OTIS ELEVATOR COMPANY. OTIS IS RELUCTANT TO OFFER ON THE EXPRESS CONDITION THAT IT WILL BE USED ONLY FOR THE ORIGINAL USE OF OTIS. NEITHER OTIS NOR ITS SUBSIDIARIES SHALL BE RESPONSIBLE FOR ANY REPRODUCTION OR TRANSMISSION OF THIS DOCUMENT WITHOUT THE PRIOR WRITTEN CONSENT OF OTIS, AND THAT ON RETURNED TO OTIS.
UNPUBLISHED WORK © OTIS ELEVATOR COMPANY
ALL RIGHTS RESERVED.

DWG DAA21290CW

OTIS ENGINEERING CHINA

CHANGES				
---------	--	--	--	--



SYSTEM WIRING DIAGRAM
FOR AC2 MR CONTROLLER

DRAWN	Liu Hui	ORIGINAL DATE	2009-01-12
CHK	Zhang Haijun	SHEETS	
APPD	Wang Yajun	SHEET	45
AUTH	CA78A-002568		

ALL DIMENSIONS METRIC

DRAFTED IN ACCORDANCE WITH OTIS DOCUMENT 52647

A3 Device list

LWB	CAR	/12.B3	Load weighing board	称重板
	DRV	/43.A1		
MES2	ERO	/4.B2	MR emergency stop switch	机房急停开关
MO	MR	/3.B8	Motor	电动机
MRO	MR	/6.C6	Manual rescue operation	手动救援操作
NSB	CAR	/17.B3	Non stop button	不停按钮
OCB	MR	/2.A4	Overload circuit breaker	电流过载断路器
OS	MR	/4.B5	Overspeed switch	超速开关
PCS1	CAR	/38.C5	Outlet socket on car	轿顶插座
PKS	HTW	/30.D6	Parking switch	驻停开关
POSI	CAR	/13.C2	Position sensor	位置传感器
PS1	HTW	/30.C2	Outlet socket in hostway	井道插座
RALB	CAR	/30.C8	Rear alarm button	副操纵盘警铃按钮
RCB0	CAR	/20.B5	Rear car button	副操纵盘轿厢按钮
RCBn	CAR	/20.B6	Rear car button	副操纵盘轿厢按钮
RCPI	CAR	/20.B2	Rear car position indicator	副操纵盘位置显示器
RDCB	CAR	/19.D4	Rear door close button	副操纵盘关门按钮
RDHB	CAR	/19.D5	Rear door hold button	副操纵盘门保持按钮
RDHBL	CAR	/19.D5	Rear door hold button light	副操纵盘门保持按钮灯
RDOB	CAR	/19.D4	Rear door open button	副操纵盘开门按钮
RF1	MR	/2.D4	Rectifier	整流桥
RHS	MR	/4.E2	Removable handwheel with safety switch	手动盘车轮安全开关
RS14	CAR	/12.B7	Remote station	远程站
RSEB	CAR	/17.B4	RSEB BOARD	RSEB 远程站
SOS	CAR	/4.A3	Safety overspeed switch	安全钳超速开关

SW	MR	/3.B6	Main contactor	主接触器
TB1	CTR	/42.C1	Terminals	接线端子
TC	CTR	/16.D3	Trip counter	运行计数器
TIMER	CTR	/11.C5	Timer Relay	时间继电器
TCI	CAR	/6.B2	Top of car inspection switch	轿顶检修开关
TCIB	CAR	/6.B2	Top of car inspection control button	轿顶检修控制按钮
TES	CAR	/4.A2	Top of car emergency switch	轿顶急停开关
THB	MR	/3.C7	Thermo contact	热敏电阻触点
TIB	CAR	/6.B2	Top of car inspection direction buttons	轿顶检修方向按钮
TOCL	CAR	/38.C5	Top of car inspection light	轿顶检修照明灯
TOCLS	CAR	/38.B5	Top of car inspection light switch	轿顶检修照明开关
TRF1	CTR	/2.C2	Transformer	变压器
TRF2	CTR	/9.A1	Auto-Transformer	自耦变压器
UDB	ERO	/43.B5	Electrical recall up direction button	紧急电动运行上行按钮
UHBn	HTW	/30.C4	Up hall button	大厅上行呼梯按钮
UIS	CAR	/13.B5	Door zone limit switch up	门区上行限位开关
XDS1	HTW	/5.B1	Aux. car door contact	辅助厅门触点
XDSn	HTW	/5.D1	Aux. car door contact	辅助厅门触点
XGS	CAR	/5.E6	Aux. car gate switch	辅助轿门门锁

WARNING
 THIS WORK AND THE INFORMATION IT CONTAINS ARE THE PROPERTY OF OTIS ELEVATOR COMPANY (OTIS). IT IS RELEASED TO OTHERS ON THE EXPRESS CONDITION THAT IT WILL BE USED ONLY FOR THE ORIGINAL USE OF OTIS, THAT NEITHER IT NOR ITS DISCONTINUED OR MODIFIED VERSIONS WILL BE REPRODUCED OR DISCLOSED IN WHOLE OR IN PART, WITHOUT THE PRIOR WRITTEN CONSENT OF OTIS, AND THAT ON RETURN TO OTIS, UNPUBLISHED WORK © OTIS ELEVATOR COMPANY ALL RIGHTS RESERVED.

DWG DAA21290CW

OTIS ENGINEERING CHINA

CHANGES



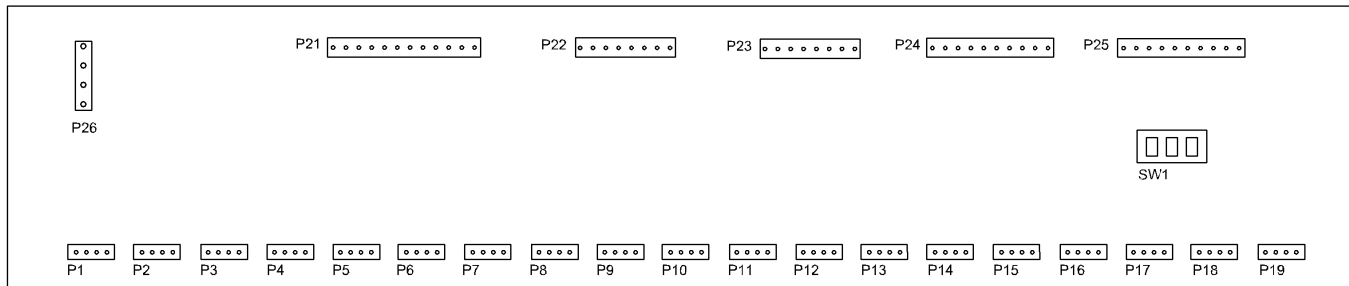
SYSTEM WIRING DIAGRAM
 FOR AC2 MR CONTROLLER

DRAWN	Liu Hui	ORIGINAL DATE	2009-01-12
CHK	Zhang Haijun	SHEETS	
APPD	Wang Yajun	SHEET	46
AUTH	CA78A-002568		

A3

GENERAL INFORMATION
Connectors of Remote Stations

DAA26800J1



1	2	3	ADDRESS
OFF	OFF	OFF	N.A
ON	OFF	OFF	08-15
OFF	ON	OFF	16-23
ON	ON	OFF	24-31
OFF	OFF	ON	32-39
ON	OFF	ON	40-47
OFF	ON	ON	48-55
ON	ON	ON	56-63

P1-P19	离散信号输入/输出 INPUT/OUTPUT	1	GND
		2	INPUT
		3	+24VDC
		4	OUTPUT
P21	用于CPI FOR CPI	1	+30VDC
		2	GND
		3	S_DATA
		4	4V_REF
		5	S_CLK
		6	4V_REF
		7	OUT
		8	OUT
		9	OUT
		10	N.C
		11	OUT
		12	N.C

P22,P23	
1	+30VDC
2	GND
3	+24VDC
4	IN
5	IN
6	IN
7	IN
8	IN

P24	
1	+30VDC
2	GND
3	+24VDC
4	OUT
5	OUT
6	OUT
7	OUT
8	OUT
9	OUT
10	N.C

P25	
1	N.C
2	+30VDC
3	GND
4	+24VDC
5	OUT
6	OUT
7	OUT
8	IN
9	IN
10	IN

P26 FOR RSL	
1	L1
2	L2
3	GND
4	+30VDC

WARNING
THIS WORK AND THE INFORMATION IT CONTAINS ARE THE PROPERTY OF OTIS ELEVATOR COMPANY. OTIS IT IS RELEASED TO OTHERS ON THE EXPRESS CONDITION THAT IT WILL BE USED ONLY FOR THE ORIGINAL USE OF OTIS, THAT NEITHER IT NOR THE INFORMATION HEREON SHALL BE REPRODUCED OR DISCLOSED IN ANY MANNER WITHOUT THE PRIOR WRITTEN CONSENT OF OTIS, AND THAT ON RETURN TO OTIS.
UNPUBLISHED WORK. © 2009 ELEVATOR COMPANY. ALL RIGHTS RESERVED.

DWG DAA21290CW	
OTIS ENGINEERING CHINA	
DRAWN Liu Hui	ORIGINAL DATE 2009-01-12
CHK Zhang Haijun	SHEETS
APPD Wang Yajun	SHEET 47
AUTH CA78A-002568	

CHANGES

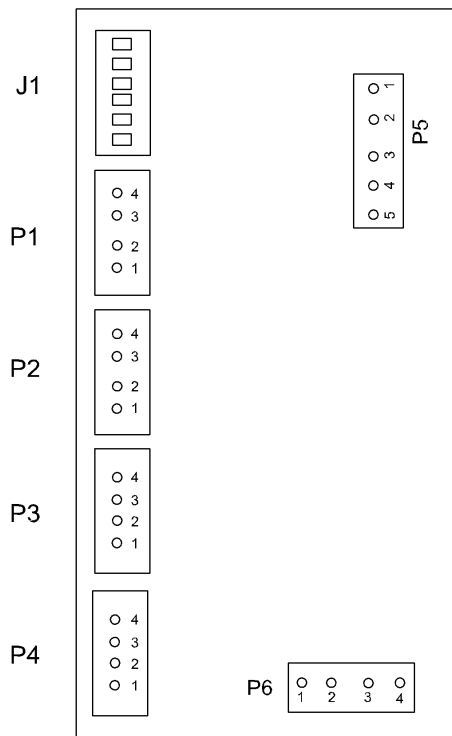


SYSTEM WIRING DIAGRAM
FOR AC2 MR CONTROLLER

A3

GENERAL INFORMATION
Connectors of Remote Stations

RS14



P6	用于串行总线 FOR RSL	1	L1
		2	L2
		3	RTN
		4	+30VDC
P1 - P4	离散信号输入/输出 INPUT/OUTPUT	1	RTN
		2	IN
		3	+24VDC
		4	OUT
P5	用于显示 FOR DISPLAY	1	+30VDC
		2	RTN
		3	PID
		4	PIR
		4	PIC

WARNING
THIS WORK AND THE INFORMATION IT CONTAINS ARE THE PROPERTY OF OTIS ELEVATOR COMPANY. IT IS RELEASED TO OTHERS ON THE EXPRESS CONDITION THAT IT WILL BE USED ONLY FOR THE ORIGINAL USE OF OTIS. THAT NEITHER IT NOR THE INFORMATION HEREON SHALL BE REPRODUCED OR DISCLOSED IN WHOLE OR IN PART, WITHOUT THE PRIOR WRITTEN CONSENT OF OTIS; AND THAT ON RETURNED TO OTIS.
UNPUBLISHED WORK © OTIS ELEVATOR COMPANY ALL RIGHTS RESERVED.

DWG DAA21290CW
OTIS ENGINEERING CHINA

CHANGES							
---------	--	--	--	--	--	--	--



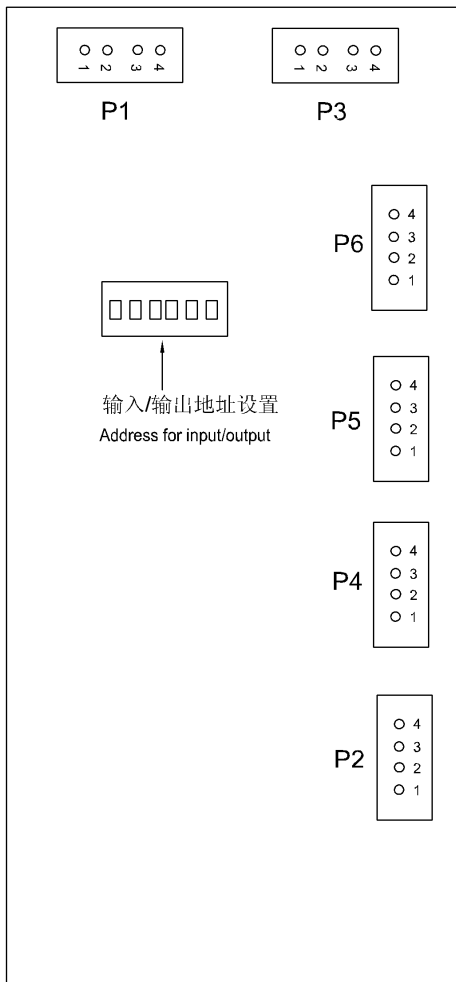
SYSTEM WIRING DIAGRAM
FOR AC2 MR CONTROLLER

DRAWN	Liu Hui	ORIGINAL DATE	2009-01-12
CHK	Zhang Haijun	SHEETS	
APPD	Wang Yajun	SHEET	48
AUTH	CA78A-002568		

A3

GENERAL INFORMATION
Connectors of Remote Stations

DAA26800G



P1 用于串行总线 FOR RSL		P2 KEY SWITCH	
P1.1	HPI*L1	P2.1	GND
P1.2	HPI*L2	P2.2	INPUT
P1.3	GND	P2.3	+30VDC
P1.4	+30V	P2.4	NC
P3 用于串行总线 FOR RSL		P4 BUTTON	
P3.1	HB*L1	P4.1	GND
P3.2	HB*L2	P4.2	INPUT
P3.3	GND	P4.3	+30V or +24V
P3.4	+30V	P4.4	OUTPUT
P5 BUTTON		P6 FIREMAN	
P5.1	GND	P6.1	GND
P5.2	INPUT	P6.2	INPUT
P5.3	+30V or +24V	P6.3	+30V or +24V
P5.4	OUTPUT	P6.4	NC

WARNING
THIS WORK AND THE INFORMATION CONTAINED HEREIN ARE THE PROPERTY OF OTIS ELEVATOR COMPANY. IT IS RELEASED TO OTHERS ON THE EXPRESS CONDITION THAT IT WILL BE USED ONLY FOR THE ORIGINAL USE OF OTIS. THAT NEITHER IT NOR DISCOVERIES MADE THEREON SHALL BE REPRODUCED OR DISCLOSED IN WHOLE OR IN PART, WITHOUT THE PRIOR WRITTEN CONSENT OF OTIS; AND THAT ON RETURN TO OTIS.
UNPUBLISHED WORK © 1988 ELEVATOR COMPANY
ALL RIGHTS RESERVED.

DWG DAA21290CW
OTIS ENGINEERING CHINA

CHANGES



SYSTEM WIRING DIAGRAM
FOR ACD2 MR CONTROLLER

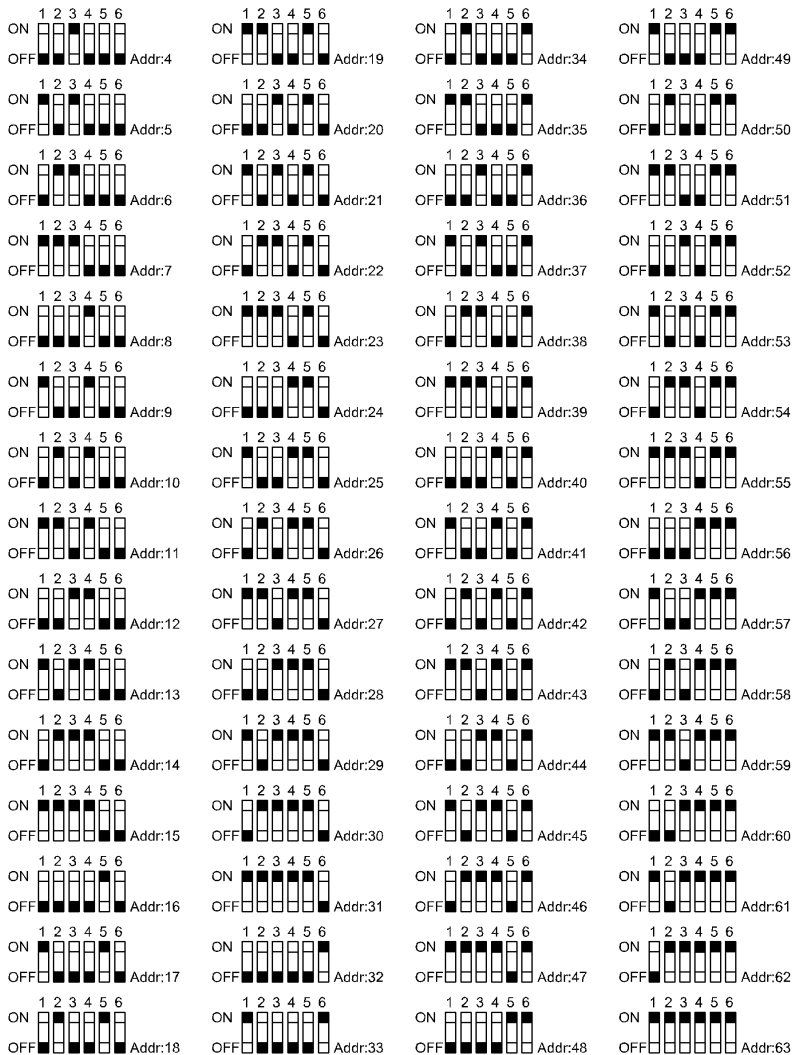
DRAWN	Liu Hui	ORIGINAL DATE	2009-01-12
CHK	Zhang Haijun	SHEETS	
APPD	Wang Yajun	SHEET	49
AUTH	CA78A-002568		

DRAFTED IN ACCORDANCE WITH OTIS DOCUMENT 52847

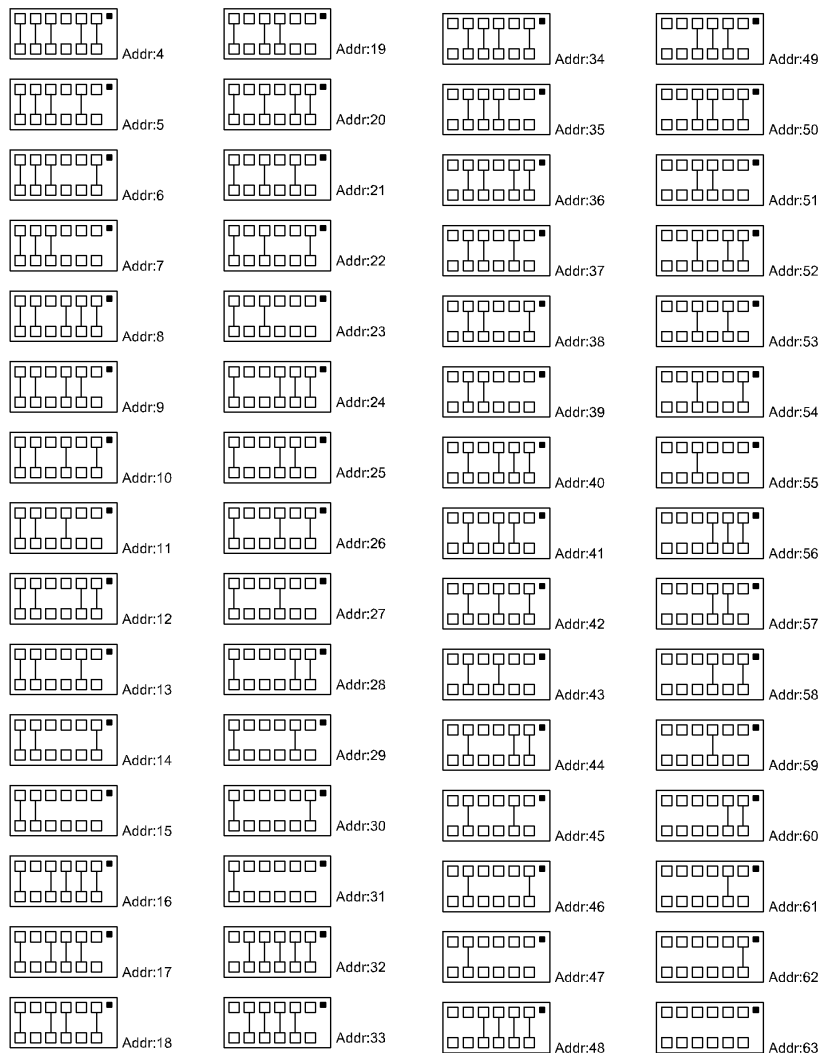
A3

GENERAL INFORMATION

Switch settings / configuration SW1
Remote station:RS14



Jumper setting configuration
Remote station RS4 - RS4A - RS4R



WARNING
THIS WORK AND THE INFORMATION IT CONTAINS ARE THE PROPERTY OF OTIS ELEVATOR COMPANY. OTIS IS RELUCTANT TO CHARGE ON THE EXPRESS CONDITION THAT IT WILL BE USED FOR POC OR ON BEHALF OF OTIS, THAT NEITHER IT NOR THE INFORMATION IT CONTAINS BE REPRODUCED OR DISCLOSED IN WHOLE OR IN PART, WITHOUT THE PRIOR WRITTEN CONSENT OF OTIS; AND THAT ON RETURNED TO OTIS.
UNPUBLISHED WORK © 1998 ELEVATOR COMPANY
ALL RIGHTS RESERVED.

DWG DAA21290CW

OTIS ENGINEERING CHINA

CHANGES



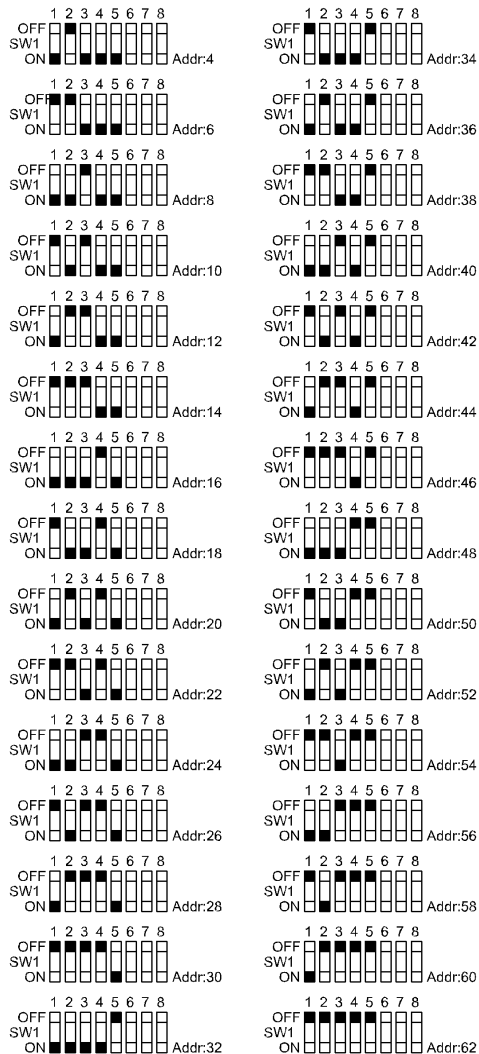
SYSTEM WIRING DIAGRAM
FOR AC2 MR CONTROLLER

DRAWN	Liu Hui	ORIGINAL DATE	2009-01-12
CHK	Zhang Haijun	SHEETS	
APPD	Wang Yajun	SHEET	50
AUTH	CA78A-002568		

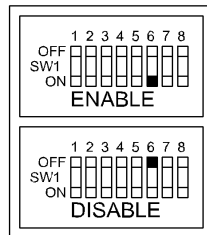
DRAFTED IN ACCORDANCE WITH OTIS DOCUMENT 52647

A3

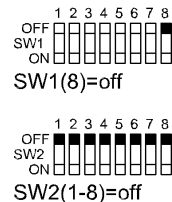
GENERAL INFORMATION
Switch settings / Configurations
Remote Station RS18



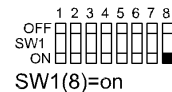
Switch (6)
Even Address



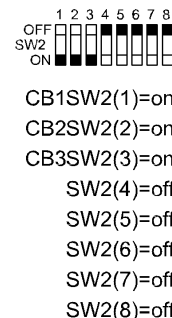
Disable N+2 - Wiring



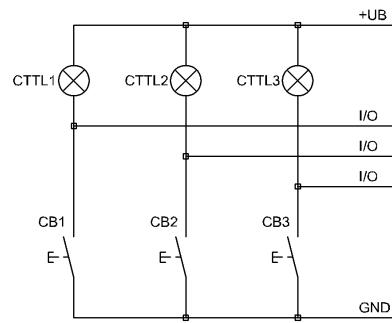
Enable N+2 - Wiring



Example for CB1 to CB3



(N+2) - Wiring Principle



WARNING
THIS WORK AND THE INFORMATION IT CONTAINS ARE THE PROPERTY OF OTIS ELEVATOR COMPANY. OTIS IS RELUCTANT TO OFFER ON THE EXPRESS CONDITION THAT IT WILL BE USED ONLY FOR THE ORIGINAL USE OF OTIS, THAT NEITHER IT NOR THE INFORMATION IT CONTAINS WILL BE REPRODUCED OR DISCLOSED IN WHOLE OR IN PART, WITHOUT THE PRIOR WRITTEN CONSENT OF OTIS, AND THAT ON RETURNED TO OTIS.
UNPUBLISHED WORK © OTIS ELEVATOR COMPANY ALL RIGHTS RESERVED.

DWG DAA21290CW

OTIS ENGINEERING CHINA

CHANGES



SYSTEM WIRING DIAGRAM
FOR AC2 MR CONTROLLER

DRAWN	Liu Hui	ORIGINAL DATE	2009-01-12
CHK	Zhang Haijun	SHEETS	
APPD	Wang Yajun	SHEET	51
AUTH	CA79A-002568		

DRAFTED IN ACCORDANCE WITH OTIS DOCUMENT 52647

